

# 10W650A-16

## Professional Low Frequency Driver



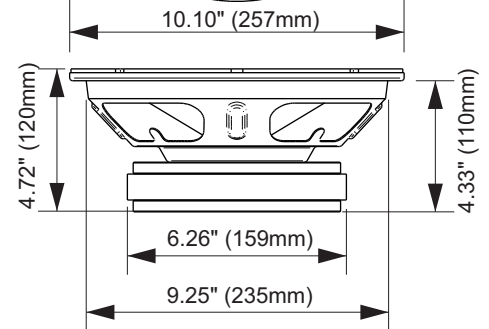
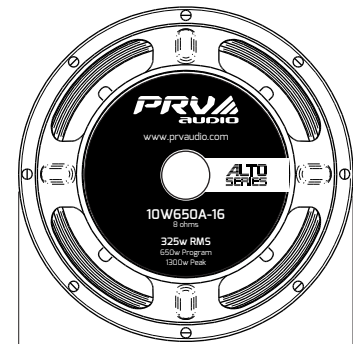
### KEY FEATURES

- 2.5" Voice coil
- 325 Watts continuous power handling
- 97 dB Sensitivity
- 80- 5,000 Hz



### GENERAL SPECIFICATIONS

Nominal Diameter	10" (254 mm)
Nominal impedance	16 ohms
<b>Rated Power Handling</b>	<b>325 Watts</b>
Program Power	650 Watts
<b>Sensitivity 4.00V at 1m</b>	<b>96 dB</b>
Recommended Hi Pass Crossover*	150 Hz*
<small>*For Full Power Handling</small>	<small>*12db Per Octave Crossover</small>
<b>Frequency Response at -10dB</b>	<b>80- 5,000 Hz</b>
Voice Coil Diameter	2.5" (65.5 mm)
Voice Coil Wire	CCAW
Voice Coil Winding Depth	12.4 mm
Former Material	Kapton
Magnetic Gap Depth	8.0 mm
Frame Material	Stamped Steel



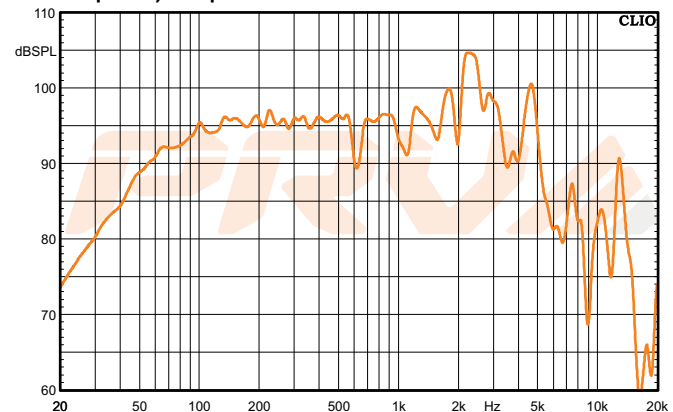
### THIELE-SMALL PARAMETERS

Equivalent Volume	Vas	28.66 l
Excursion (mathematical)***	Xmax	4.20 mm
Free Air Resonance	Fs	79.79 Hz
Mechanical Factor	Qms	14.10
Electrical Factor	Qes	0.72
Total Factor	Qts	0.68
Cone Area	Sd	415 cm <sup>2</sup>
Mechanical Mass	Mms	33.45 g
Bl Factor	BL	17.91 Tm
Dc Resistance	Re	13.8 Ohms
Inductance	Le	1.34 mH at 1 kHz
Mechanical Mass Without Air	Mmd	28.65 g
Mechanical Compliance	Cms	0.119 mm/N

### EXTRA INFO

Overall Diameter	10.10" (257 mm)
Front Mount Baffle Cutout	9.25" (235 mm)
Mounting Depth	4.33" (110 mm)
Overall Depth	4.72" (120 mm)
Net Weight	10.52 Lbs (4.77 kg)
Shipping Weight	11.31 Lbs (5.13 kg)
Carton Dimensions W x L x H	11.02" x 11.02" x 5.98" (280 x 280 x 152 mm)

Frequency Response Measured at 4.00V/1m



PRV AUDIO USA (USA and Export) PRV AUDIO BRAZIL (Brazilian Sales Only)  
 FORT LAUDERDALE, FL SAO LEOPOLDO, RS  
 support@prvaudio.com vendas@pvaudio.com.br  
 www.prvaudio.com www.pvaudio.com.br

\*\*\*Xmax=(Voice coil winding depth-Magnetic Gap depth)/2+ Mgnetic Gap Depth/4