

# 10W650A

Professional Low Frequency Driver



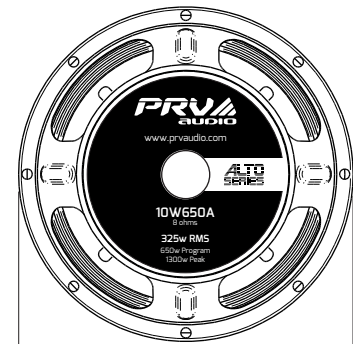
## KEY FEATURES

- 2.5" Voice coil
- 325 Watts continuous power handling
- 97 dB Sensitivity
- 75- 5,500 Hz



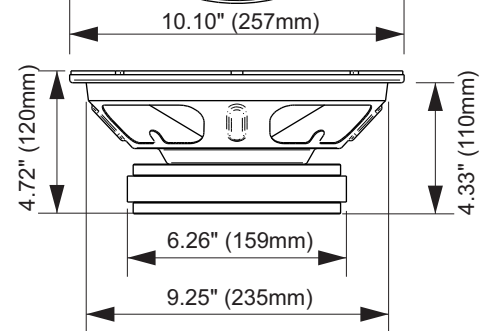
## GENERAL SPECIFICATIONS

Nominal Diameter	10" (254 mm)
Nominal impedance	8 ohms
<b>Rated Power Handling</b>	<b>325 Watts</b>
Program Power	650 Watts
<b>Sensitivity 2.83V at 1m</b>	<b>97 dB</b>
Recommended Hi Pass Crossover*	150 Hz*
<small>*For Full Power Handling</small>	<small>*12db Per Octave Crossover</small>
<b>Frequency Response at -10dB</b>	<b>75- 5,500 Hz</b>
Voice Coil Diameter	2.5" (65.5 mm)
Voice Coil Wire	CCAW
Voice Coil Winding Depth	13.0 mm
Former Material	Kapton
Magnetic Gap Depth	8.0 mm
Frame Material	Stamped Steel



## THIELE-SMALL PARAMETERS

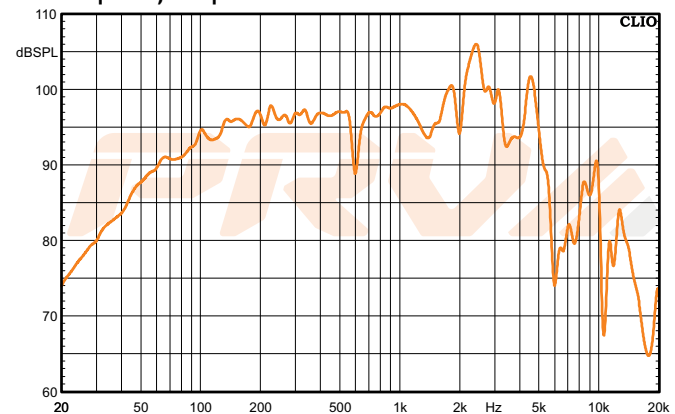
Equivalent Volume	Vas	34.04 l
Excursion (mathematical)***	Xmax	4.50 mm
Free Air Resonance	Fs	72.31 Hz
Mechanical Factor	Qms	16.34
Electrical Factor	Qes	0.47
Total Factor	Qts	0.46
Cone Area	Sd	415 cm <sup>2</sup>
Mechanical Mass	Mms	34.04 g
Bl Factor	BL	14.09 Tm
Dc Resistance	Re	6.1 Ohms
Inductance	Le	0.79 mH at 1 kHz
Mechanical Mass Without Air	Mmd	29.24 g
Mechanical Compliance	Cms	0.142 mm/N



## EXTRA INFO

Overall Diameter	10.10" (257 mm)
Front Mount Baffle Cutout	9.25" (235 mm)
Mounting Depth	4.3" (110 mm)
Overall Depth	4.72" (120 mm)
Net Weight	10.49 Lbs (4.75 kg)
Shipping Weight	11.25 Lbs (5.10 kg)
Carton Dimensions W x L x H	11.02" x 11.02" x 5.98" (280 x 280 x 152 mm)

Frequency Response Measured at 2.83v/1m



PRV AUDIO USA (USA and Export) FORT LAUDERDALE, FL support@prvaudio.com www.prvaudio.com  
 PRV AUDIO BRAZIL (Brazilian Sales Only) SAO LEOPOLDO, RS vendas@pvaudio.com.br www.pvaudio.com.br

\*\*\*Xmax=(Voice coil winding depth-Magnetic Gap depth)/2+ Mgnetic Gap Depth/4