

6MR500-NDY-4

Professional Midrange Driver



KEY FEATURES

- 105-12,500 kHz
- Suitable for line array applications.
- Lightweight high efficient neodymium slug assembly
- Die cast aluminum basket

GENERAL SPECIFICATIONS

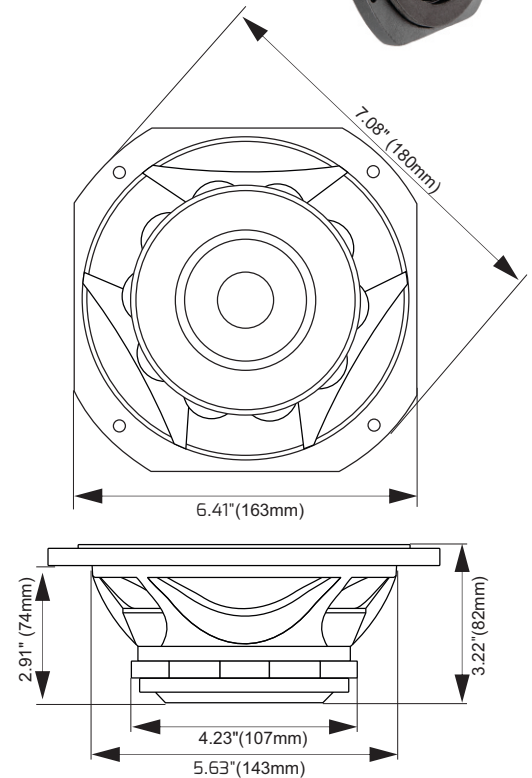
Nominal Diameter	6" (152 mm)
Nominal impedance	4 ohms
Rated Power Handling	250 Watts
Program Power	500 Watts
Sensitivity 2.00V at 1m	96 dB
Recommended Hi Pass Crossover*	230 Hz*
<small>*For Full Power Handling</small>	<small>*12db Per Octave Crossover</small>
Frequency Response at -10dB	105- 12,500 Hz
Voice Coil Diameter	2" (50mm)
Voice Coil Wire	CCAW
Former Material	Kapton
Frame Material	Die Cast Aluminum

THIELE-SMALL PARAMETERS

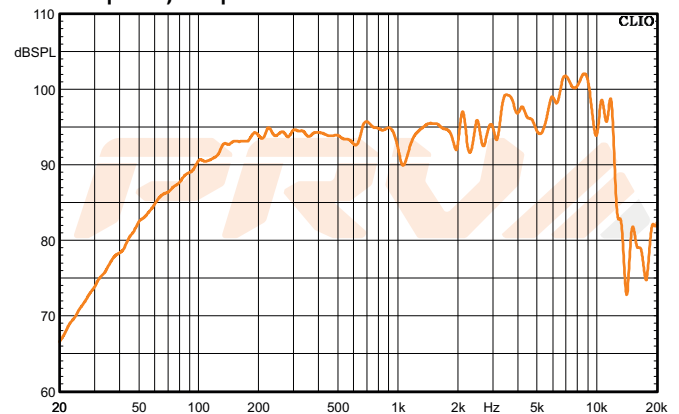
Equivalent Volume	Vas	5.14 l
Excursion	Xmax	2.5 mm
Free Air Resonance	Fs	99.8 Hz
Mechanical Factor	Qms	23.1
Electrical Factor	Qes	0.47
Total Factor	Qts	0.43
Cone Area	Sd	143 cm ²
Mechanical Mass	Mms	14.14 g
Bl Factor	BL	8.77 Tm
Dc Resistance	Re	3.8 Ohms
Inductance	Le	0.05 mH at 1 kHz
Mechanical Mass Without Air	Mmd	13.17 g
Mechanical Compliance	Cms	0.180 mm/N

EXTRA INFO

Overall Diameter	7.08" (180 mm)
Front Mount Baffle Cutout	5.63" (143 mm)
Mounting Depth	2.91" (74 mm)
Overall Depth	3.22" (82 mm)
Net Weight	3.34 Lbs (1.51 kg)
Shipping Weight	3.64 Lbs (1.65 kg)
Carton Dimensions W x L x H	7.09" x 7.09" x 4.37" (155 x 155 x 95mm)



Frequency Response Measured at 2.00V/1m



PRV AUDIO USA (USA and Export) PRV AUDIO BRAZIL (Brazilian Sales Only)
 FORT LAUDERDALE, FL SAO LEOPOLDO, RS
 support@prvaudio.com vendas@pvaudio.com.br
 www.prvaudio.com www.pvaudio.com.br