

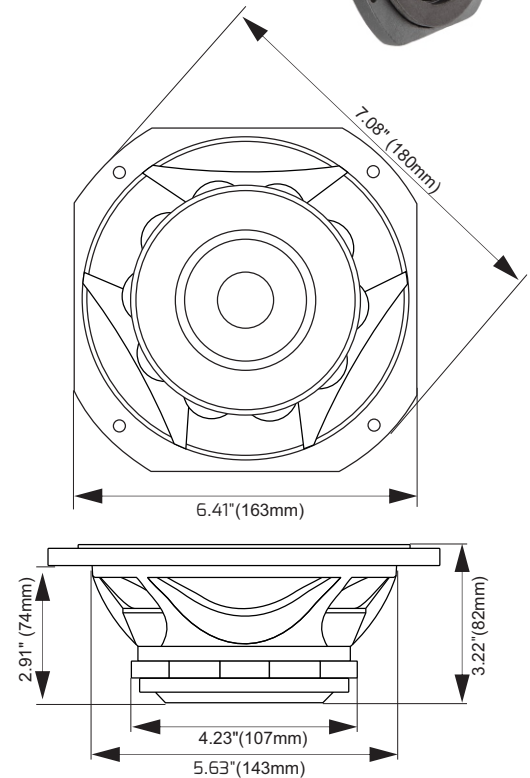
6MR500-NDY

Professional Midrange Driver



KEY FEATURES

- Special pole piece design for best High Freq. performance and low distortion
- Suitable for line array applications, space efficient octagonal basket
- Lightweight design combined with a high efficient neodymium slug assembly
- Sturdy cast aluminum basket to minimize acoustic distortion



GENERAL SPECIFICATIONS

Nominal Diameter	6" (152 mm)
Nominal impedance	8 ohms
Rated Power Handling	250 Watts
Program Power	500 Watts
Sensitivity 2.83V at 1m	96 dB
Recommended Hi Pass Crossover*	220 Hz*
<small>*For Full Power Handling</small>	<small>*24db Per Octave Crossover</small>
Frequency Response at -10dB	90- 13,000 Hz
Voice Coil Diameter	2" (50mm)
Voice Coil Wire	CCAW
Voice Coil Winding Depth	11.2 mm
Former Material	Kapton
Magnetic Gap Depth	5.5 mm
Frame Material	Die Cast Aluminum

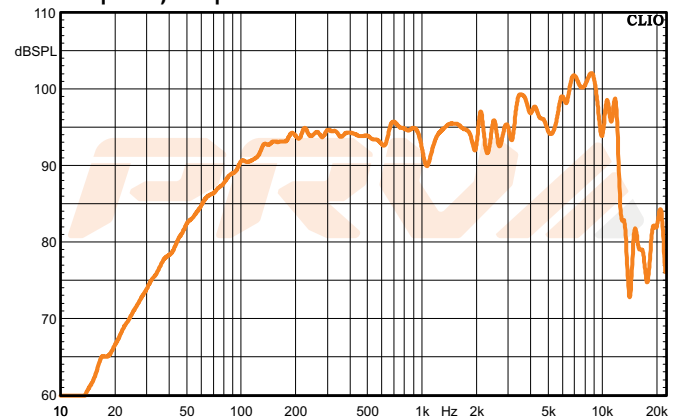
THIELE-SMALL PARAMETERS

Equivalent Volume	Vas	5.13 l
Excursion (mathematical)***	Xmax	4.22 mm
Free Air Resonance	Fs	104.6 Hz
Mechanical Factor	Qms	22.73
Electrical Factor	Qes	0.54
Total Factor	Qts	0.53
Cone Area	Sd	143 cm ²
Mechanical Mass	Mms	12.88 g
Bl Factor	BL	9.84 Tm
Dc Resistance	Re	6.2 Ohms
Inductance	Le	0.12 mH at 1 kHz
Mechanical Mass Without Air	Mmd	11.91 g
Mechanical Compliance	Cms	0.179 mm/N

EXTRA INFO

Overall Diameter	7.08" (180 mm)
Front Mount Baffle Cutout	5.63" (143 mm)
Mounting Depth	2.91" (74 mm)
Overall Depth	3.22" (82 mm)
Net Weight	3.34 Lbs (1.51 kg)
Shipping Weight	3.64 Lbs (1.65 kg)
Carton Dimensions W x L x H	7.09" x 7.09" x 4.37" (155 x 155 x 95mm)

Frequency Response Measured at 2.83V/1m



PRV AUDIO USA (USA and Export) PRV AUDIO BRAZIL (Brazilian Sales Only)
 FORT LAUDERDALE, FL SAO LEOPOLDO, RS
 support@prvaudio.com vendas@pvaudio.com.br
 www.prvaudio.com www.pvaudio.com.br

***Xmax=(Voice coil winding depth-Magnetic Gap depth)/2+ Mgnetic Gap Depth/4

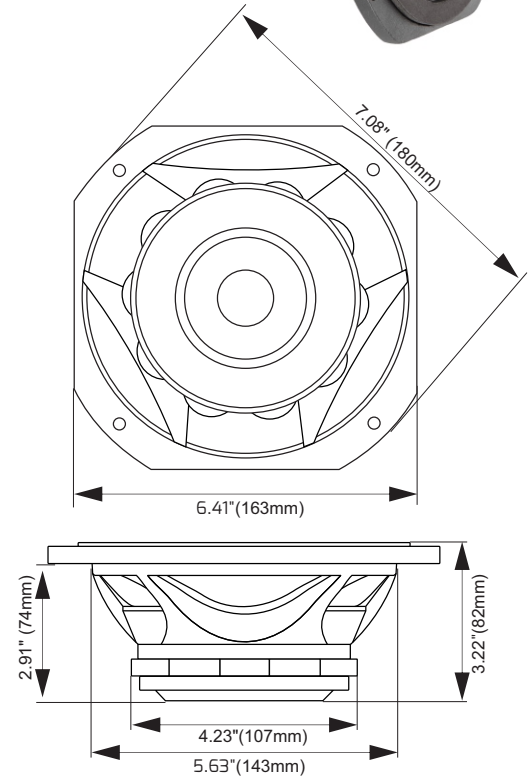
6MR500-NDY

Professional Midrange Driver

PRVA
AUDIO
BRAZIL

Características

- Polo especialmente desenvolvido para resposta em altas frequências
- Adequado para line arrays
- Conjunto magnético de Neodímio
- Carcaça de Alumínio injetada



ESPECIFICAÇÕES GERAIS

Diâmetro Nominal	6" (152 mm)
Impedancia Nominal	8 ohms
Potência	250 Watts
Potência Musical	500 Watts
Sensibilidade 2.83V at 1m	96 dB
Hi Pass Crossover Recomendado*	220 Hz*
<small>*para regime de alta potência</small>	<small>*Crossover 24db por oitava</small>
Resposta em Frequência a -10dB	90- 13,000 Hz
Diâmetro da Bobina	2" (50mm)
Material do Fio da Bobina	CCAW
Material da Forma da Bobina	Kapton
Material da Carcaça	Die Cast Aluminium

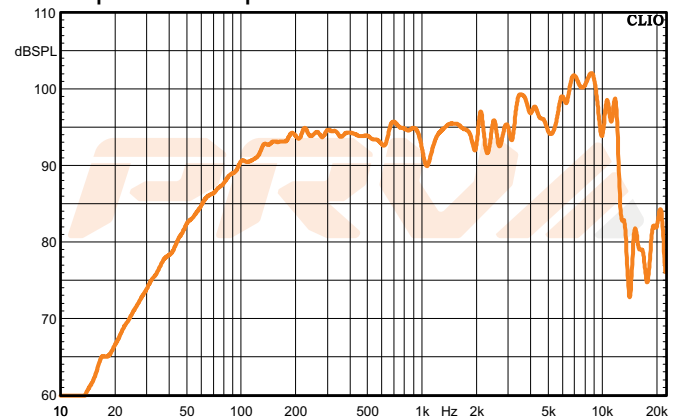
PARÂMETROS THIELE-SMALL

Volume Equivalente	Vas	5.13 l
Deslocamento Máximo	Xmax	2.5 mm
Frequência de Resonancia	Fs	104.6 Hz
Fator Mecânico	Qms	22.73
Fator Elétrico	Qes	0.54
Fator Total	Qts	0.53
Área Efetiva de Cone	Sd	143 cm ²
Massa Mecânica	Mms	12.88 g
Fator de Força BL	BL	9.84 Tm
Resistência DC	Re	6.2 Ohms
Indutância	Le	0.12 mH a 1 kHz
Massa Mec. Sem Ar	Mmd	11.91 g
Complância Mecânica	Cms	0.179 mm/N

EXTRA INFO

Diâmetro Total	7.08" (180 mm)
Diâmetro para Montagem	5.63" (143 mm)
Profundidade de Montagem	2.91" (74 mm)
Profundidade total	3.22" (82 mm)
Peso Líquido	3.34 Lbs (1.51 kg)
Peso Bruto	3.64 Lbs (1.65 kg)
Dimensões da Emb. C x L x A	7.09" x 7.09" x 4.94" (180 x 180 x 100mm)

Resposta em Frequência Medida a 2.83V/1m



PRV AUDIO USA (USA and Export) FORT LAUDERDALE, FL
support@prvaudio.com www.prvaudio.com
PRV AUDIO BRAZIL (Vendas Nacionais) SAO LEOPOLDO, RS
vendas@pvaudio.com.br www.pvaudio.com.br