

5MR450-NDY-4

Professional Midrange Driver



KEY FEATURES

- 160-16,000 kHz
- Suitable for line array applications.
- Lightweight high efficient neodymium slug assembly
- Die cast aluminum basket

GENERAL SPECIFICATIONS

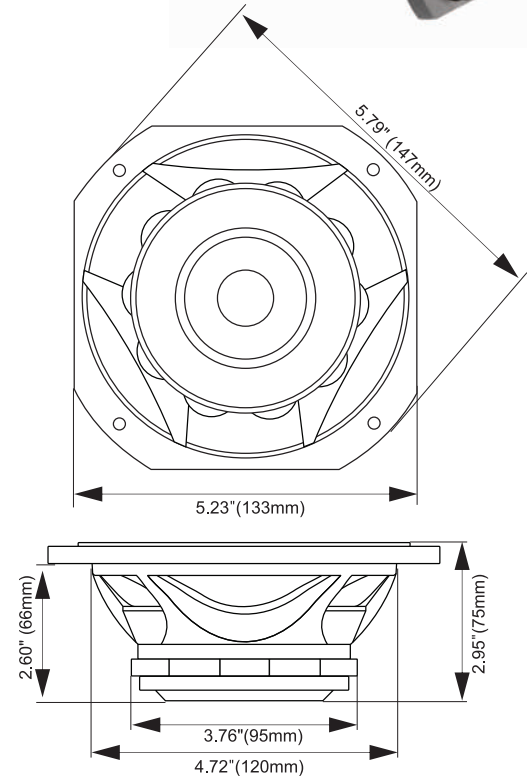
Nominal Diameter	5" (127 mm)
Nominal impedance	4 ohms
Rated Power Handling	225 Watts
Program Power	450 Watts
Sensitivity 2.00V at 1m	94 dB
Recommended Hi Pass Crossover*	290 Hz*
<small>*For Full Power Handling</small>	<small>*12db Per Octave Crossover</small>
Frequency Response at -10dB	160- 16,000 Hz
Voice Coil Diameter	1.5" (38.1 mm)
Voice Coil Wire	CCAW
Former Material	Kapton
Frame Material	Die Cast Aluminum

THIELE-SMALL PARAMETERS

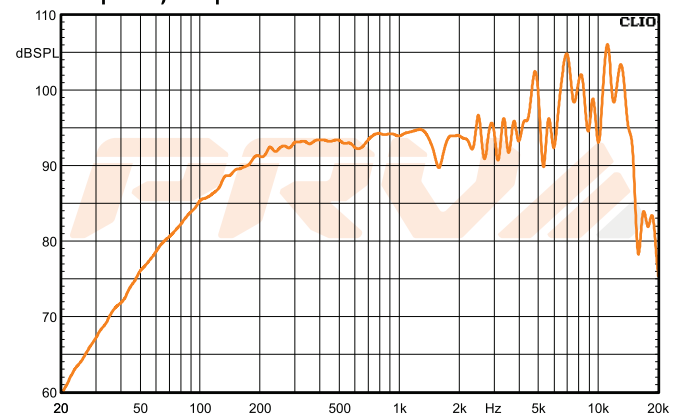
Equivalent Volume	Vas	1.56 l
Excursion	Xmax	2.0 mm
Free Air Resonance	Fs	149.5 Hz
Mechanical Factor	Qms	20.74
Electrical Factor	Qes	0.50
Total Factor	Qts	0.49
Cone Area	Sd	95 cm ²
Mechanical Mass	Mms	9.14 g
Bl Factor	BL	7.94 Tm
Dc Resistance	Re	3.7 Ohms
Inductance	Le	0.02 mH at 1 kHz
Mechanical Mass Without Air	Mmd	8.62 g
Mechanical Compliance	Cms	0.123 mm/N

EXTRA INFO

Overall Diameter	5.79" (147 mm)
Front Mount Baffle Cutout	7.72" (120 mm)
Mounting Depth	2.60" (66 mm)
Overall Depth	2.95" (75 mm)
Net Weight	2.65 Lbs (1.20 kg)
Shipping Weight	2.87 Lbs (1.30 kg)
Carton Dimensions W x L x H	6.1" x 6.1 x 3.7" (155 x 155 x 95mm)



Frequency Response Measured at 2.00V/1m



PRV AUDIO USA (USA and Export) PRV AUDIO BRAZIL (Brazilian Sales Only)
 FORT LAUDERDALE, FL SAO LEOPOLDO, RS
 support@prvaudio.com vendas@pvaudio.com.br
 www.prvaudio.com www.pvaudio.com.br