

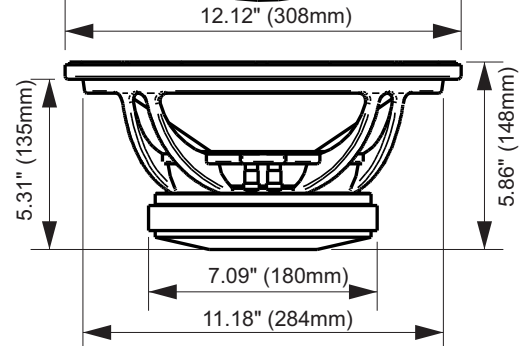
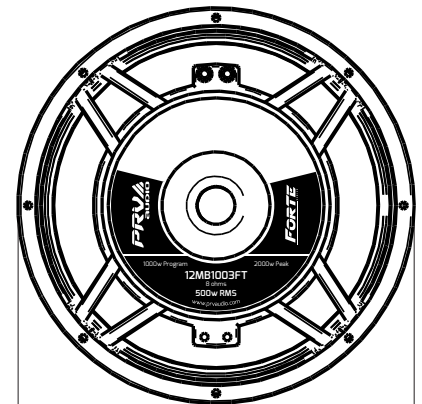
12MB1003FT

Professional Mid-bass Driver



KEY FEATURES

- 500 Watts continuous power handling
- 98 dB Sensitivity
- 55 - 5,000 Hz
- 3" Voice coil Hz



GENERAL SPECIFICATIONS

Nominal Diameter	12" (305 mm)
Nominal impedance	8 ohms
Rated Power Handling	500 Watts
Program Power	1000 Watts
Sensitivity 2.83V at 1m	98 dB
Recommended Hi Pass Crossover*	120 Hz*
<small>*For Full Power Handling</small>	<small>*12db Per Octave Crossover</small>
Frequency Response at -10dB	55 - 5,000 Hz
Voice Coil Diameter	3" (75 mm)
Voice Coil Wire	CCAW
Voice Coil Winding Depth	17.0 mm
Former Material	Kapton S
Magnetic Gap Depth	9.5 mm
Frame Material	Die cast aluminum

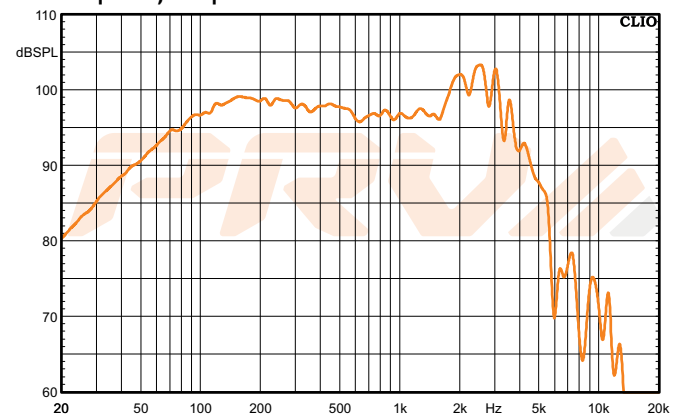
THIELE-SMALL PARAMETERS

Equivalent Volume	Vas	93.9 l
Excursion (mathematical)***	Xmax	6.12 mm
Free Air Resonance	Fs	51.43 Hz
Mechanical Factor	Qms	6.98
Electrical Factor	Qes	0.37
Total Factor	Qts	0.36
Cone Area	Sd	607 cm ²
Mechanical Mass	Mms	52.44 g
Bl Factor	BL	14.24 Tm
Dc Resistance	Re	4.5 Ohms
Inductance	Le	1.02 mH at 1 kHz
Mechanical Mass Without Air	Mmd	43.97 g
Mechanical Compliance	Cms	0.182 mm/N

EXTRA INFO

Overall Diameter	12.12" (308 mm)
Front Mount Baffle Cutout	11.18" (284 mm)
Mounting Depth	5.31" (135 mm)
Overall Depth	5.86" (148 mm)
Net Weight	15.70 Lbs (7.12 kg)
Shipping Weight	18.30Lbs (8.30 kg)
Carton Dimensions W x L x H	13.0" x 13.0" x 6.7" (330 x 330 x 170mm)

Frequency Response Measured at 2.83V/1m



PRV AUDIO USA (USA and Export) PRV AUDIO BRAZIL (Brazilian Sales Only)
 FORT LAUDERDALE, FL SAO LEOPOLDO, RS
 support@prvaudio.com vendas@pvaudio.com.br
 www.prvaudio.com www.pvaudio.com.br

***Xmax=(Voice coil winding depth-Magnetic Gap depth)/2+ Mgnetic Gap Depth/4