

# 10MR1003FT

Professional Mid Range Driver



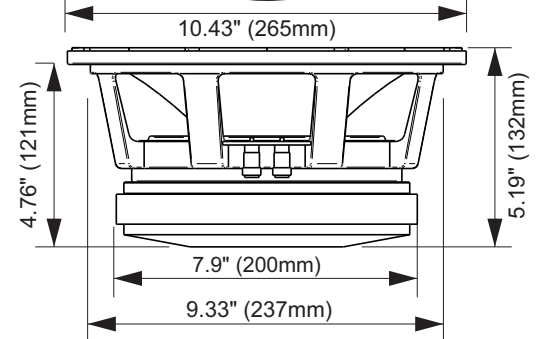
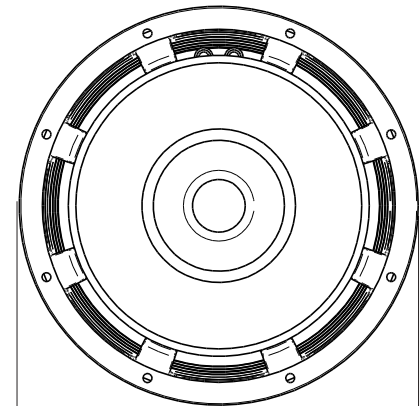
## KEY FEATURES

- Large 3" Voice Coil
- 500 Watts continuous power handling
- 98 dB Sensitivity
- 65 - 6,000 Hz



GENERAL SPECIFICATIONS

Nominal Diameter	10" (254 mm)
Nominal impedance	8ohms
<b>Rated Power Handling</b>	<b>500 Watts</b>
Program Power	1000Watts
<b>Sensitivity 2.83V at 1m</b>	<b>98 dB</b>
Recommended Hi Pass Crossover*	160 Hz*
<small>*For Full Power Handling</small>	<small>*12db Per Octave Crossover</small>
<b>Frequency Response at -10dB</b>	<b>65 - 6,000 Hz</b>
Voice Coil Diameter	3" (75 mm)
Voice Coil Wire	Cooper
Voice Coil Winding Depth	14.0 mm
Former Material	Glass Fiber
Magnetic Gap Depth	7.0 mm
Frame Material	Die cast aluminum



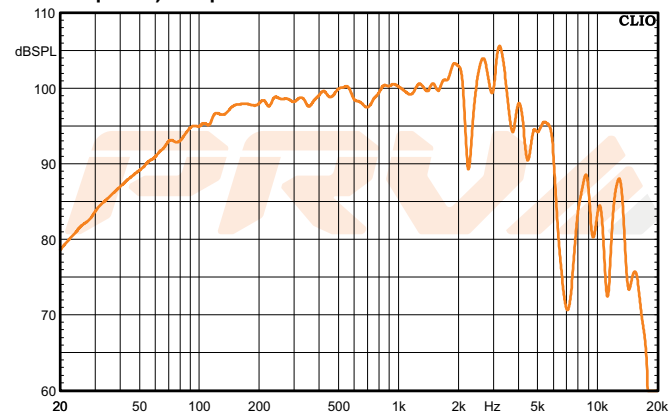
THIELE-SMALL PARAMETERS

Equivalent Volume	Vas	37.35 l
Excursion (mathematical)***	Xmax	5.25 mm
Free Air Resonance	Fs	60.86 Hz
Mechanical Factor	Qms	22.04
Electrical Factor	Qes	0.32
Total Factor	Qts	0.31
Cone Area	Sd	405 cm <sup>2</sup>
Mechanical Mass	Mms	41.86 g
Bl Factor	BL	16.91 Tm
Dc Resistance	Re	5.7 Ohms
Inductance	Le	0.48 mH at 1 kHz
Mechanical Mass Without Air	Mmd	37.25 g
Mechanical Compliance	Cms	0.163 mm/N

EXTRA INFO

Overall Diameter	10.43" (265 mm)
Front Mount Baffle Cutout	9.33" (237 mm)
Mounting Depth	4.76" (121 mm)
Overall Depth	5.19" (132 mm)
Net Weight	16.64 Lbs (7.55 kg)
Shipping Weight	18.27 Lbs (8.29 kg)
Carton Dimensions W x L x H	12.6" x 12.6" x 7.8" (320 x 320 x 195mm)

Frequency Response Measured at 2.83V/1m



PRV AUDIO USA (USA and Export) PRV AUDIO BRAZIL (Brazilian Sales Only)  
 FORT LAUDERDALE, FL SAO LEOPOLDO, RS  
 support@prvaudio.com vendas@pvaudio.com.br  
 www.prvaudio.com www.pvaudio.com.br

\*\*\*Xmax=(Voice coil winding depth-Magnetic Gap depth)/2+ Mgnetic Gap Depth/4