

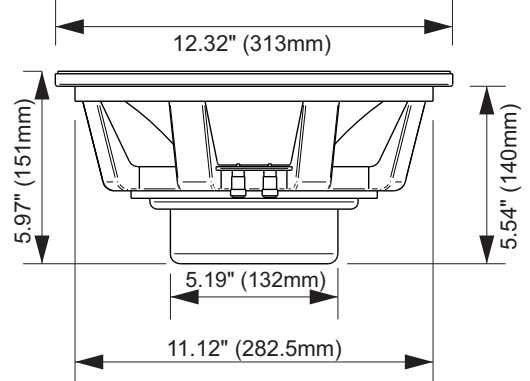
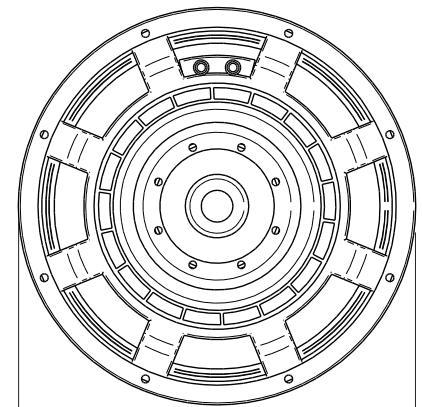
12MR2000-NDY

Professional Mid Range Driver



KEY FEATURES

- Large 4" Voice Coil
- 1000 Watts continuous power handling
- 98 dB Sensitivity
- 55 - 5,500 Hz
- Lightweight Neodymium magnet



GENERAL SPECIFICATIONS

Nominal Diameter	12" (305 mm)
Nominal impedance	8ohms
Rated Power Handling	1000 Watts
Program Power	2000Watts
Sensitivity 2.83V at 1m	98 dB
Recommended Hi Pass Crossover*	180 Hz*
<small>*For Full Power Handling</small>	<small>*12db Per Octave Crossover</small>
Frequency Response at -10dB	55 - 5,500Hz
Voice Coil Diameter	4" (100 mm)
Voice Coil Wire	Cooper
Voice Coil Winding Depth	16.8 mm
Former Material	Glass Fiber
Magnetic Gap Depth	9.0 mm
Frame Material	Die cast aluminum

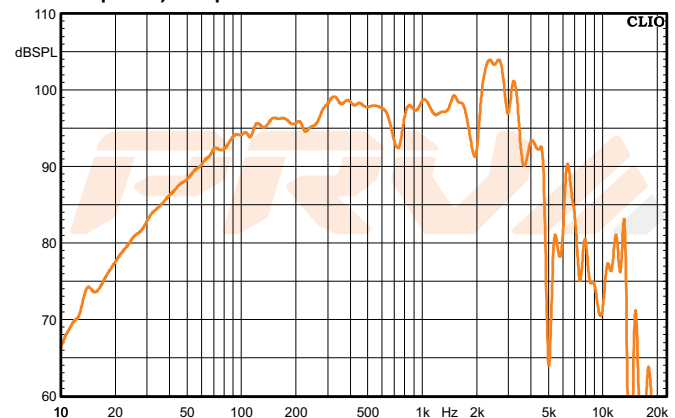
THIELE-SMALL PARAMETERS

Equivalent Volume	Vas	48.16 l
Excursion (mathematical)***	Xmax	6.15 mm
Free Air Resonance	Fs	54.48 Hz
Mechanical Factor	Qms	17.61
Electrical Factor	Qes	0.35
Total Factor	Qts	0.34
Cone Area	Sd	573 cm ²
Mechanical Mass	Mms	81.11 g
Bl Factor	BL	22.77Tm
Dc Resistance	Re	6.6 Ohms
Inductance	Le	0.69 mH at 1 kHz
Mechanical Mass Without Air	Mmd	73.35 g
Mechanical Compliance	Cms	0.105 mm/N

EXTRA INFO

Overall Diameter	12.32" (313 mm)
Front Mount Baffle Cutout	11.12" (282.5 mm)
Mounting Depth	5.54" (140 mm)
Overall Depth	5.97" (151 mm)
Net Weight	13.93 Lbs (6.32kg)
Shipping Weight	18.27 Lbs (8.29 kg)
Carton Dimensions W x L x H	12.6" x 12.6" x 7.8" (363 x 363 x 205mm)

Frequency Response Measured at 2.83V/1m



PRV AUDIO USA (USA and Export) FORT LAUDERDALE, FL support@prvaudio.com www.prvaudio.com
 PRV AUDIO BRAZIL (Brazilian Sales Only) SAO LEOPOLDO, RS vendas@pvaudio.com.br www.pvaudio.com.br

***Xmax=(Voice coil winding depth-Magnetic Gap depth)/2+ Mgnetic Gap Depth/4