

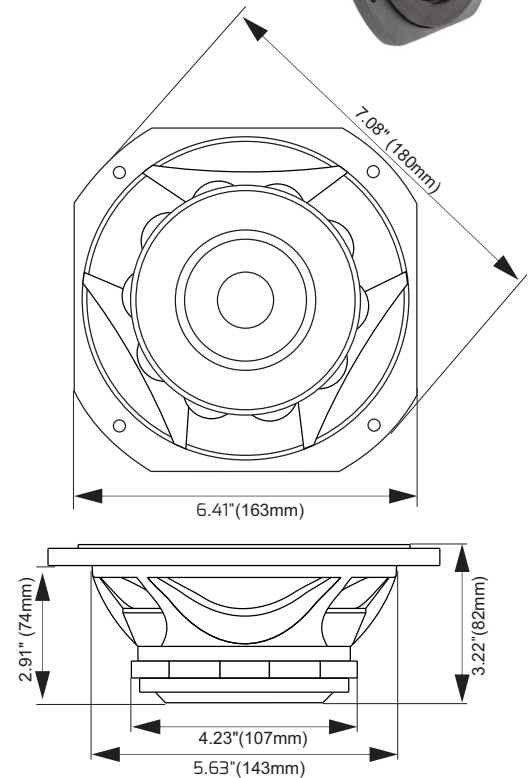
6MR500-NDY-4

Professional Midrange Driver



KEY FEATURES

- Special pole piece design for best High Freq. performance and low distortion
- Suitable for line array applications, space efficient octagonal basket
- Lightweight design combined with a high efficient neodymium slug assembly
- Sturdy cast aluminum basket to minimize acoustic distortion



GENERAL SPECIFICATIONS

Nominal Diameter	6" (152 mm)
Nominal impedance	4 ohms
Rated Power Handling	250 Watts
Program Power	500 Watts
Sensitivity 2.00V at 1m	96 dB
Recommended Hi Pass Crossover*	220 Hz*
<small>*For Full Power Handling</small>	<small>*24db Per Octave Crossover</small>
Frequency Response at -10dB	90- 13,000 Hz
Voice Coil Diameter	2" (50mm)
Voice Coil Wire	CCAW
Voice Coil Winding Depth	11.2 mm
Former Material	Kapton
Magnetic Gap Depth	5.5 mm
Frame Material	Die Cast Aluminum

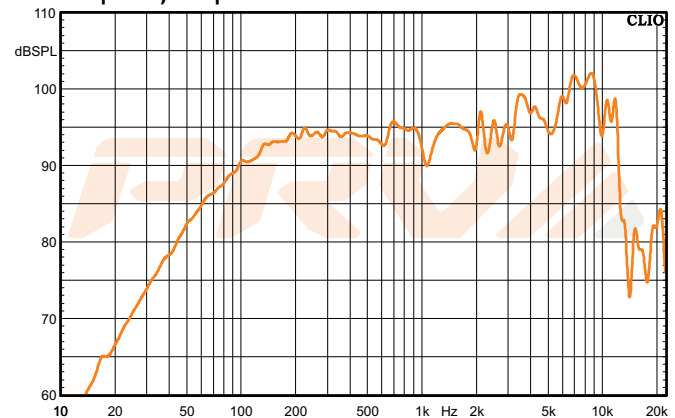
THIELE-SMALL PARAMETERS

Equivalent Volume	Vas	5.14 l
Excursion (mathematical)***	Xmax	4.42 mm
Free Air Resonance	Fs	99.8 Hz
Mechanical Factor	Qms	23.1
Electrical Factor	Qes	0.47
Total Factor	Qts	0.43
Cone Area	Sd	143 cm ²
Mechanical Mass	Mms	14.14 g
Bl Factor	BL	8.77 Tm
Dc Resistance	Re	3.8 Ohms
Inductance	Le	0.05 mH at 1 kHz
Mechanical Mass Without Air	Mmd	13.17 g
Mechanical Compliance	Cms	0.180 mm/N

EXTRA INFO

Overall Diameter	7.08" (180 mm)
Front Mount Baffle Cutout	5.63" (143 mm)
Mounting Depth	2.91" (74 mm)
Overall Depth	3.22" (82 mm)
Net Weight	3.34 Lbs (1.51 kg)
Shipping Weight	3.64 Lbs (1.65 kg)
Carton Dimensions W x L x H	7.09" x 7.09" x 4.37" (155 x 155 x 95mm)

Frequency Response Measured at 2.00V/1m



PRV AUDIO USA (USA and Export) PRV AUDIO BRAZIL (Brazilian Sales Only)
 FORT LAUDERDALE, FL SAO LEOPOLDO, RS
 support@prvaudio.com vendas@pvaudio.com.br
 www.prvaudio.com www.pvaudio.com.br

***Xmax=(Voice coil winding depth-Magnetic Gap depth)/2+ Mgnetic Gap Depth/4