

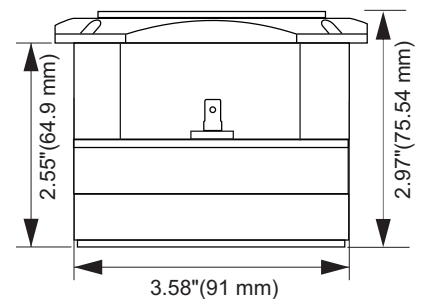
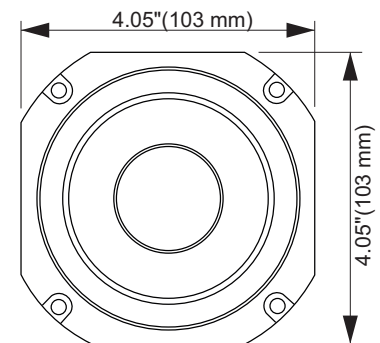
TW700Ti

Professional Super Tweeter



KEY FEATURES

- 1.5" Voice coil
- 120 Watts continuous power handling
- 108 dB Sensitivity
- Double Magnet
- High grade Titanium Diaphragm



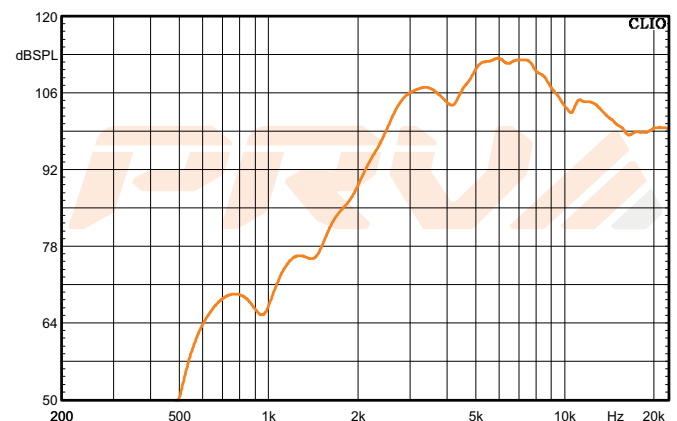
GENERAL SPECIFICATIONS

Nominal Impedance	8 Ohms
Rated Power Handling	120 Watts
Program Power	240 Watts
Sensitivity 2.83V at 1m*	108 dB
Recommended High Pass Crossover**	5000 Hz***
for Full Power Handling	*12 db/oct Crossover
Frequency Response at -10dB	3,500-20,000Hz
Voice Coil Diameter	1.5" (38 mm)
Voice Coil Wire	Cooper
Voice Coil Former Material	Kapton®
Diaphragm Material	Titanium
Flux Density	1.60 T
Magnet Material	Ferrite

EXTRA INFO

Overall depth	2.97" (75.54 mm)
Mounting Depth	2.55" (64.9 mm)
Overall Width	4.05" (103 mm)
Overall Height	4.05" (103 mm)
Cutout Diameter	3.58" (91 mm)
Net Weight	3.48 lbs (1.58 kg)
Shipping Weight	3.62 lbs (1.64 kg)
Carton Dimensions W x L x H	4.5" x 4.5" x 3.25" (114 x 114 x 82.5 mm)

Frequency Response Measured at 2.83v/1m



PRVA AUDIO USA (USA and Export) PRVA AUDIO BRAZIL (Brazilian Sales Only)
 FORT LAUDERDALE, FL SAO LEOPOLDO, RS
 support@prvaudio.com vendas@pvaudio.com.br
 www.prvaudio.com www.pvaudio.com.br