

# 6MR250A

Professional Midrange Driver



## KEY FEATURES

- 1.5" Voice coil
- 125 Watts continuous power handling
- 94 dB Sensitivity
- 150- 9,500 Hz



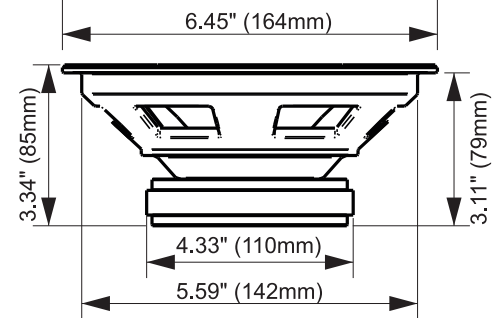
## GENERAL SPECIFICATIONS

Nominal Diameter	6" (152 mm)
Nominal impedance	8 ohms
<b>Rated Power Handling</b>	<b>125 Watts</b>
Program Power	250 Watts
<b>Sensitivity 2.83V at 1m</b>	<b>94 dB</b>
Recommended Hi Pass Crossover*	300 Hz*
<small>*For Full Power Handling</small>	<small>*12db Per Octave Crossover</small>
<b>Frequency Response at -10dB</b>	<b>150 - 9,500 Hz</b>
Voice Coil Diameter	1.5" (38 mm)
Voice Coil Wire	CCAW
Former Material	Kapton
Frame Material	Stamped Steel



## THIELE-SMALL PARAMETERS

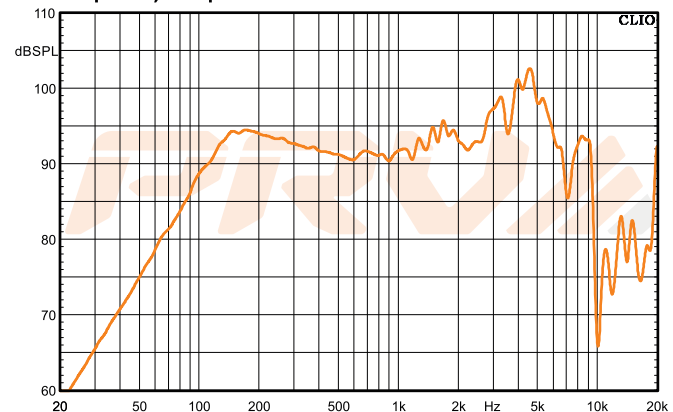
Equivalent Volume	Vas	3.56 l
Excursion	Xmax	1.65 mm
Free Air Resonance	Fs	145.3 Hz
Mechanical Factor	Qms	15.03
Electrical Factor	Qes	1.26
Total Factor	Qts	1.16
Cone Area	Sd	154 cm <sup>2</sup>
Mechanical Mass	Mms	11.15 g
Bl Factor	BL	6.99 Tm
Dc Resistance	Re	6.1 Ohms
Inductance	Le	0.14 mH at 1 kHz
Mechanical Mass Without Air	Mmd	10.06 g
Mechanical Compliance	Cms	0.107 mm/N



## EXTRA INFO

Overall Diameter	6.45" (164 mm)
Front Mount Baffle Cutout	5.59" (142 mm)
Mounting Depth	3.11" (79 mm)
Overall Depth	3.34" (85 mm)
Net Weight	3.79 Lbs (1.72 kg)
Shipping Weight	4.07 Lbs (1.85 kg)
Carton Dimensions W x L x H	7.25" x 7.25" x 4.12" (184 x 184 x 105mm)

Frequency Response Measured at 2.83V/1m



PRV AUDIO USA (USA and Export) PRV AUDIO BRAZIL (Brazilian Sales Only)  
 FORT LAUDERDALE, FL SAO LEOPOLDO, RS  
 support@prvaudio.com vendas@pvaudio.com.br  
 www.prvaudio.com www.pvaudio.com.br