

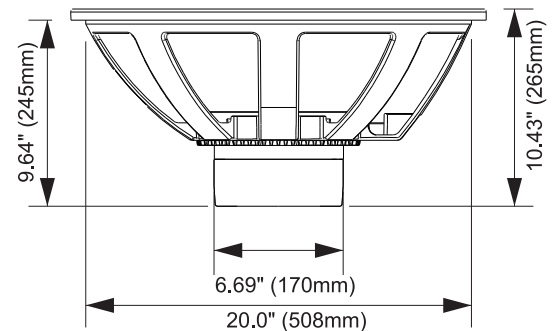
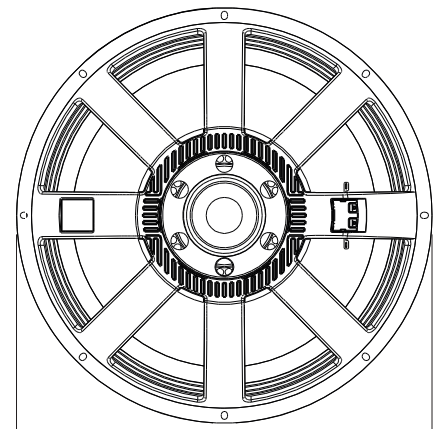
21SW4000-NDY-2

Professional Low Frequency Driver

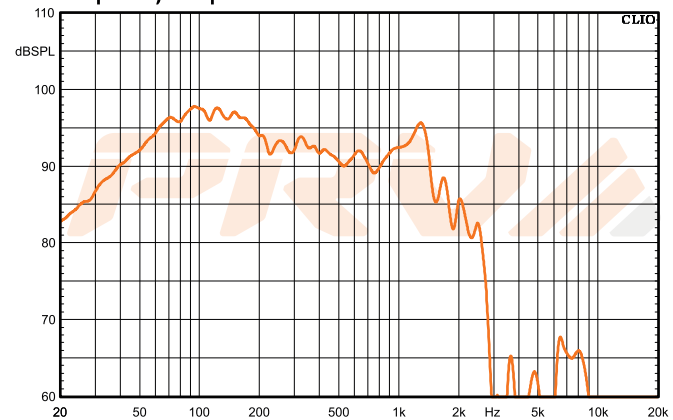


KEY FEATURES

- Neodymium magnet assembly with 5.3" inside/outside copper coil
- Dual spider designed with silicon based damping control
- Dual-forced air ventilation system
- Cone treatment on both sides to add max strength



Frequency Response Measured at 1.41 V/1m



GENERAL SPECIFICATIONS

Nominal Diameter	21" (553 mm)
Nominal impedance	2 Ohms
Rated Power Handling	2000 Watts
Program Power	4000 Watts
Sensitivity 1.41 V at 1m	97 dB
Recommended Hi Pass Crossover*	45 Hz*
<small>*For Full Power Handling</small>	<small>*12db Per Octave Crossover</small>
Frequency Response at -10dB	35 - 1,200 Hz
Voice Coil Diameter	5.3" (135 mm)
Voice Coil Wire	Cooper
Former Material	Glass Fiber
Frame Material	Die cast aluminum

THIELE-SMALL PARAMETERS

Equivalent Volume	Vas	284.7 l
Excursion	Xmax	15 mm
Free Air Resonance	Fs	30.8 Hz
Mechanical Factor	Qms	12.33
Electrical Factor	Qes	0.28
Total Factor	Qts	0.28
Cone Area	Sd	1924 cm ²
Mechanical Mass	Mms	485.0 g
Bl Factor	BL	24.36 Tm
Dc Resistance	Re	1.8 Ohms
Inductance	Le	1.14 mH at 1 kHz
Mechanical Mass Without Air	Mmd	437.2 g
Mechanical Compliance	Cms	0.055 mm/N

EXTRA INFO

Overall Diameter	21.53" (547 mm)
Front Mount Baffle Cutout	20.0" (508 mm)
Mounting Depth	9.64" (245 mm)
Overall Depth	10.23" (265 mm)
Net Weight	30.2 Lbs (13.7 kg)
Shipping Weight	35.3 Lbs (16.0 kg)
Carton Dimensions W x L x H	23.2" x 22.4" x 10.8" (590 x 570 x 275 mm)

PRV AUDIO USA (USA and Export) PRV AUDIO BRAZIL (Brazilian Sales Only)
FORT LAUDERDALE, FL SAO LEOPOLDO, RS
support@prvaudio.com vendas@pvaudio.com.br
www.prvaudio.com www.pvaudio.com.br