

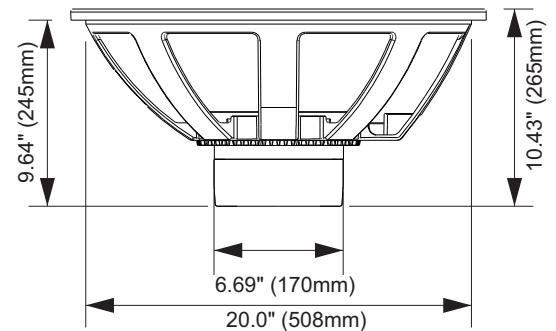
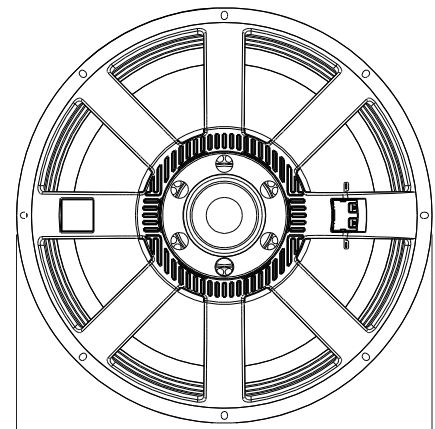
# 21SW4000-NDY-2

Professional Low Frequency Driver

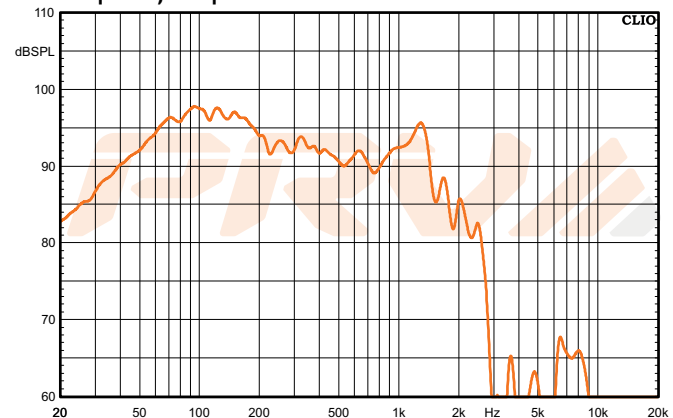


## KEY FEATURES

- Lightweight Neodymium Magnet assembly
- 2000 Watts continuous power handling
- 97 dB Sensitivity
- Reinforced Cone treated on both sides



Frequency Response Measured at 1.41 V/1m



## GENERAL SPECIFICATIONS

Nominal Diameter	21" (553 mm)
Nominal impedance	2 Ohms
<b>Rated Power Handling</b>	<b>2000 Watts</b>
Program Power	4000 Watts
<b>Sensitivity 1.41 V at 1m</b>	<b>97 dB</b>
Recommended Hi Pass Crossover*	45 Hz*
<small>*For Full Power Handling      *12db Per Octave Crossover</small>	
<b>Frequency Response at -10dB</b>	<b>35 - 1,200 Hz</b>
Voice Coil Diameter	5.3" (135 mm)
Voice Coil Wire	Cooper
Voice Coil Winding Depth	39.0 mm
Former Material	Glass Fiber
Magnetic Gap Depth	18.0 mm
Frame Material	Die cast aluminum

## THIELE-SMALL PARAMETERS

Equivalent Volume	Vas	284.7 l
Excursion (mathematical)***	Xmax	15.00 mm
Free Air Resonance	Fs	30.8 Hz
Mechanical Factor	Qms	12.33
Electrical Factor	Qes	0.28
Total Factor	Qts	0.28
Cone Area	Sd	1924 cm <sup>2</sup>
Mechanical Mass	Mms	485.0 g
Bl Factor	BL	24.36 Tm
Dc Resistance	Re	1.8 Ohms
Inductance	Le	1.14 mH at 1 kHz
Mechanical Mass Without Air	Mmd	437.2 g
Mechanical Compliance	Cms	0.055 mm/N

## EXTRA INFO

Overall Diameter	21.53" (547 mm)
Front Mount Baffle Cutout	20.0" (508 mm)
Mounting Depth	9.64" (245 mm)
Overall Depth	10.23" (265 mm)
Net Weight	30.2 Lbs (13.7 kg)
Shipping Weight	35.3 Lbs (16.0 kg)
Carton Dimensions W x L x H	23.2" x 22.4" x 10.8" (590 x 570 x 275 mm)

\*\*\*Xmax=(Voice coil winding depth-Magnetic Gap depth)/2+ Mgnetic Gap Depth/4

PRV AUDIO USA (USA and Export) PRV AUDIO BRAZIL (Brazilian Sales Only)  
 FORT LAUDERDALE, FL SAO LEOPOLDO, RS  
 support@prvaudio.com vendas@pvaudio.com.br  
 www.prvaudio.com www.pvaudio.com.br