

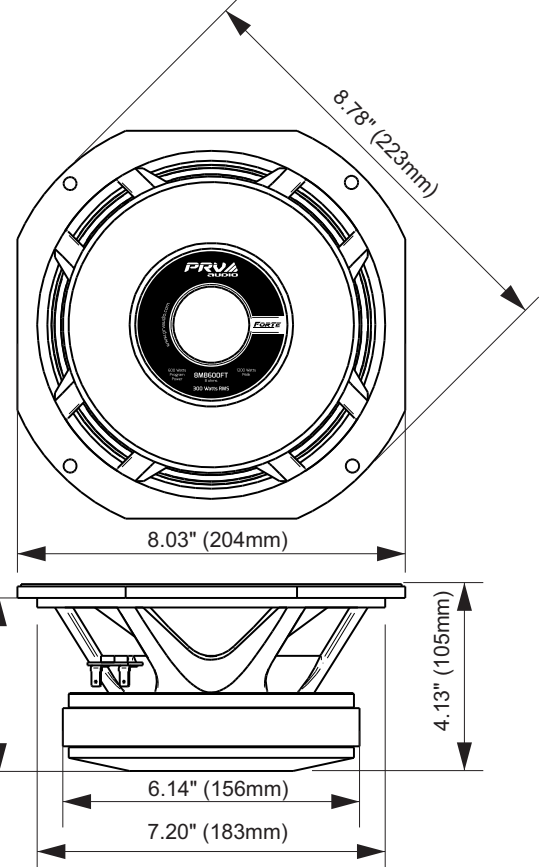
8MB600FT

Professional Mid Bass Driver



KEY FEATURES

- 2.0" voice coil
- 300 Watts continuous power handling
- 96 dB Sensitivity
- 105 - 6,500 Hz



GENERAL SPECIFICATIONS

Nominal Diameter	8" (203 mm)
Nominal impedance	8 ohms
Rated Power Handling	300 Watts
Program Power	600 Watts
Sensitivity 2.83V at 1m	96 dB
Recommended Hi Pass Crossover*	110 Hz*
<small>*For Full Power Handling</small>	<small>*12db Per Octave Crossover</small>
Frequency Response at -10dB	105 - 6,500 Hz
Voice Coil Diameter	2.0" (50 mm)
Voice Coil Wire	CCAW
Voice Coil Winding Depth	14.0 mm
Former Material	Kapton
Magnetic Gap Depth	6.8mm
Frame Material	Die cast aluminum

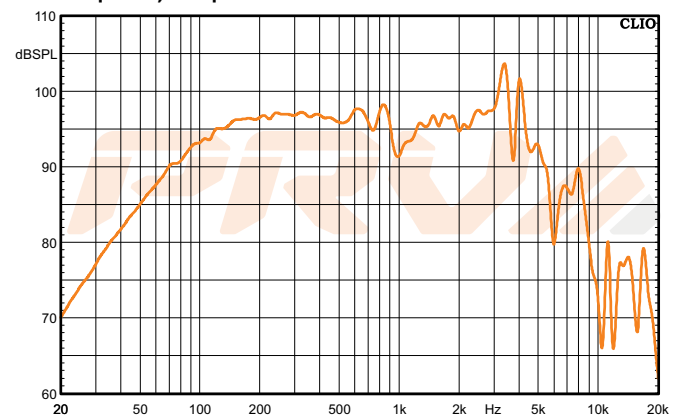
THIELE-SMALL PARAMETERS

Equivalent Volume	Vas	10.61 l
Excursion (mathematical)***	Xmax	5.30 mm
Free Air Resonance	Fs	98.40 Hz
Mechanical Factor	Qms	21.06
Electrical Factor	Qes	0.55
Total Factor	Qts	0.53
Cone Area	Sd	241 cm ²
Mechanical Mass	Mms	19.91 g
Bl Factor	BL	10.85Tm
Dc Resistance	Re	5.3 Ohms
Inductance	Le	0.38mH at 1 kHz
Mechanical Mass Without Air	Mmd	17.80 g
Mechanical Compliance	Cms	0.131 mm/N

EXTRA INFO

Overall Diameter	8.78" (223 mm)
Front Mount Baffle Cutout	7.20" (183 mm)
Mounting Depth	3.58" (91 mm)
Overall Depth	4.13" (105 mm)
Net Weight	9.13 Lbs (4.14 kg)
Shipping Weight	9.92 Lbs (4.50 kg)
Carton Dimensions W x L x H	8.85" x 8.85" x 4.72" (225 x 225 x 120mm)

Frequency Response Measured at 2.83V/1m



PRV AUDIO USA (USA and Export) PRV AUDIO BRAZIL (Brazilian Sales Only)
 FORT LAUDERDALE, FL SAO LEOPOLDO, RS
 support@prvaudio.com vendas@pvaudio.com.br
 www.prvaudio.com www.pvaudio.com.br

***Xmax=(Voice coil winding depth-Magnetic Gap depth)/2+ Mgnetic Gap Depth/4