

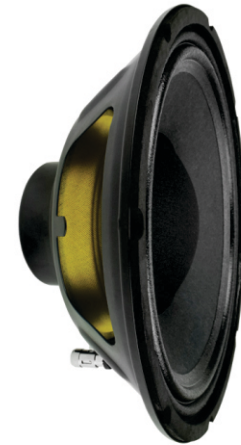
10MR650A-NDY

Professional Mid Range Driver



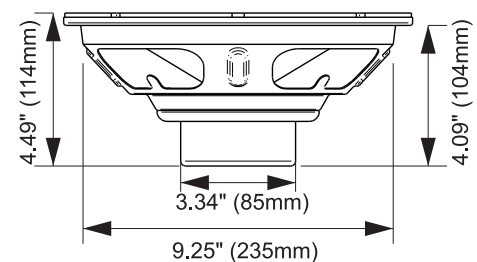
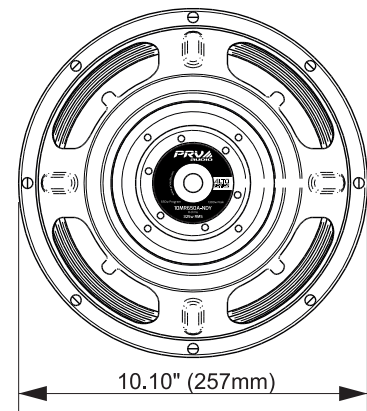
KEY FEATURES

- Inside/out 2.5" Voice coil
- 325 Watts continuous power handling
- 98 dB Sensitivity
- Lightweight Neodymium magnet assembly
- 75 - 5,700 Hz



GENERAL SPECIFICATIONS

Nominal Diameter	10" (254 mm)
Nominal impedance	8 ohms
Rated Power Handling	325 Watts
Program Power	650 Watts
Sensitivity 2.83V at 1m	98 dB
Recommended Hi Pass Crossover*	150 Hz*
<small>*For Full Power Handling</small>	<small>*12db Per Octave Crossover</small>
Frequency Response at -10dB	75- 5,700 Hz
Voice Coil Diameter	2.5" (65.5 mm)
Voice Coil Wire	CCAW
Former Material	Kapton
Frame Material	Stamped Steel



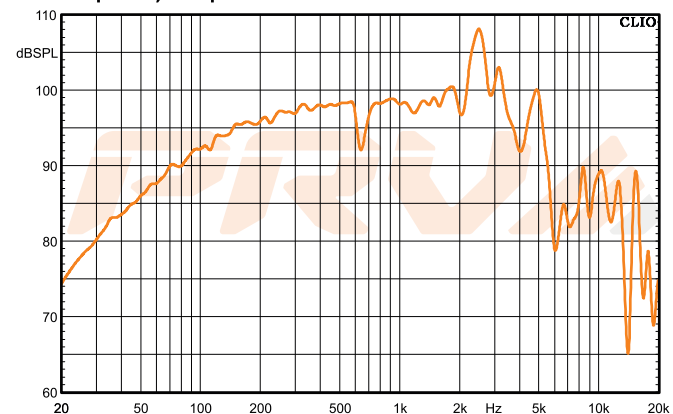
THIELE-SMALL PARAMETERS

Equivalent Volume	Vas	32.50 l
Excursion	Xmax	3 mm
Free Air Resonance	Fs	72.91Hz
Mechanical Factor	Qms	16.03
Electrical Factor	Qes	0.34
Total Factor	Qts	0.33
Cone Area	Sd	415 cm ²
Mechanical Mass	Mms	35.33 g
Bl Factor	BL	16.92 Tm
Dc Resistance	Re	6.1 Ohms
Inductance	Le	0.79 mH at 1 kHz
Mechanical Mass Without Air	Mmd	30.54 g
Mechanical Compliance	Cms	0.134 mm/N

EXTRA INFO

Overall Diameter	10.10" (257 mm)
Front Mount Baffle Cutout	9.25" (235 mm)
Mounting Depth	4.09" (104 mm)
Overall Depth	4.49" (114 mm)
Net Weight	4.35 Lbs (1.97 kg)
Shipping Weight	5.00 Lbs (2.27 kg)
Carton Dimensions W x L x H	11.02" x 11.02" x 5.98" (280 x 280 x 152 mm)

Frequency Response Measured at 2.83v/1m



PRV AUDIO USA (USA and Export) PRV AUDIO BRAZIL (Brazilian Sales Only)
 FORT LAUDERDALE, FL SAO LEOPOLDO, RS
 support@prvaudio.com vendas@pvaudio.com.br
 www.prvaudio.com www.pvaudio.com.br