

# 10MR650A-NDY

Professional Mid Range Driver



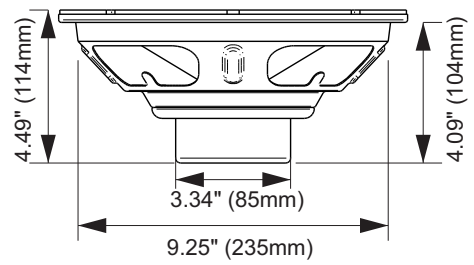
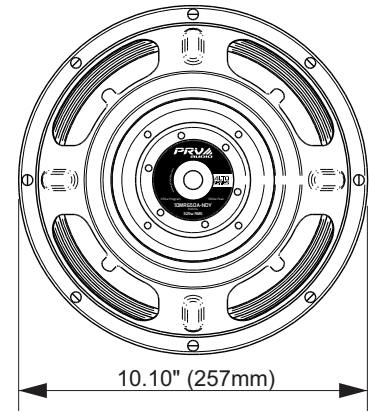
## KEY FEATURES

- 2.5" Voice coil
- 325 Watts continuous power handling
- 98 dB Sensitivity
- Lightweight Neodymium magnet assembly
- 75- 5,700 Hz



## GENERAL SPECIFICATIONS

Nominal Diameter	10" (254 mm)
Nominal impedance	8 ohms
<b>Rated Power Handling</b>	<b>325 Watts</b>
Program Power	650 Watts
<b>Sensitivity 2.83V at 1m</b>	<b>98 dB</b>
Recommended Hi Pass Crossover*	150 Hz*
<small>*For Full Power Handling</small>	<small>*12db Per Octave Crossover</small>
<b>Frequency Response at -10dB</b>	<b>75- 5,700 Hz</b>
Voice Coil Diameter	2.5" (65.5 mm)
Voice Coil Wire	CCAW
Voice Coil Winding Depth	13.2 mm
Former Material	Kapton
Magnetic Gap Depth	7.0 mm
Frame Material	Stamped Steel



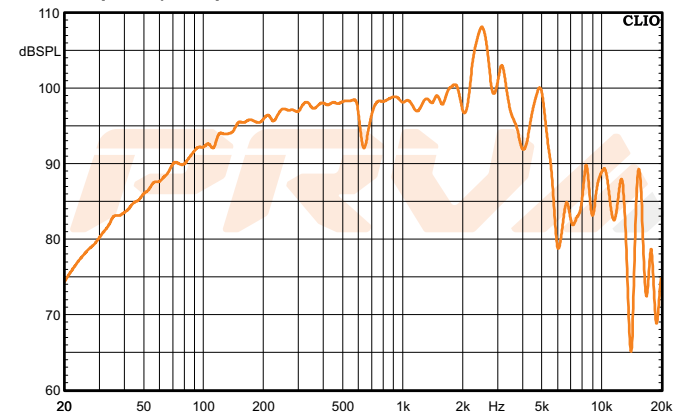
## THIELE-SMALL PARAMETERS

Equivalent Volume	Vas	32.50 l
Excursion (mathematical)***	Xmax	4.85 mm
Free Air Resonance	Fs	72.91Hz
Mechanical Factor	Qms	16.03
Electrical Factor	Qes	0.34
Total Factor	Qts	0.33
Cone Area	Sd	415 cm <sup>2</sup>
Mechanical Mass	Mms	35.33 g
Bl Factor	BL	16.92 Tm
Dc Resistance	Re	6.1 Ohms
Inductance	Le	0.79 mH at 1 kHz
Mechanical Mass Without Air	Mmd	30.54 g
Mechanical Compliance	Cms	0.134 mm/N

## EXTRA INFO

Overall Diameter	10.10" (257 mm)
Front Mount Baffle Cutout	9.25" (235 mm)
Mounting Depth	4.09" (104 mm)
Overall Depth	4.49" (114 mm)
Net Weight	4.35 Lbs (1.97 kg)
Shipping Weight	5.00 Lbs (2.27 kg)
Carton Dimensions W x L x H	11.02" x 11.02" x 5.98" (280 x 280 x 152 mm)

Frequency Response Measured at 2.83v/1m



PRV AUDIO USA (USA and Export) PRV AUDIO BRAZIL (Brazilian Sales Only)  
 FORT LAUDERDALE, FL SAO LEOPOLDO, RS  
 support@prvaudio.com vendas@pvaudio.com.br  
 www.prvaudio.com www.pvaudio.com.br

\*\*\*Xmax=(Voice coil winding depth-Magnetic Gap depth)/2+ Mgnetic Gap Depth/4