

### Specifications

Net Volume = 37 liters (per speaker)

Fb = 75.1Hz

QL = 10

F3 = 76.8Hz

No. of Vents = 2

Vent shape = Triangle

Dimension of vents

Area (per vent) = 32 cm<sup>2</sup>

Lv (Vent Length) = 2cm

Material: Plywood 20mm(0.79")

Speakers:

2 x 12MB1003FT

2 x D3220Ti-ND-16

2 x WG500

Crossover frquencies:

Hi pass at 100Hz (low)

Low pass at 1400Hz (low)

Hi pass 1600Hz (compression driver)

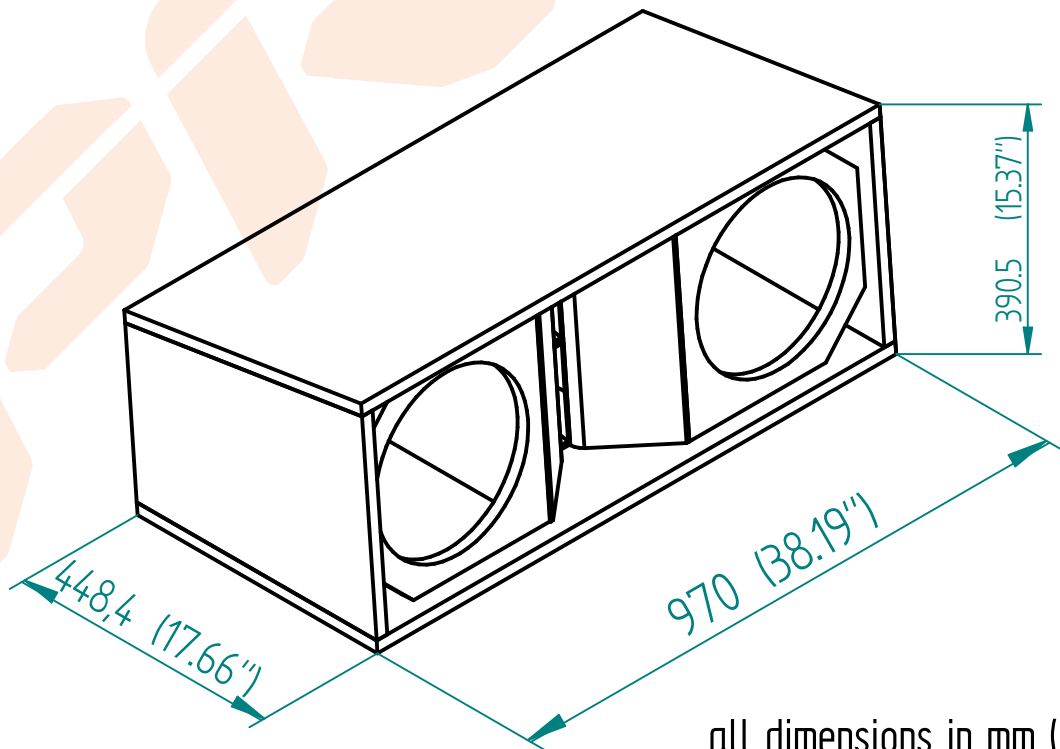
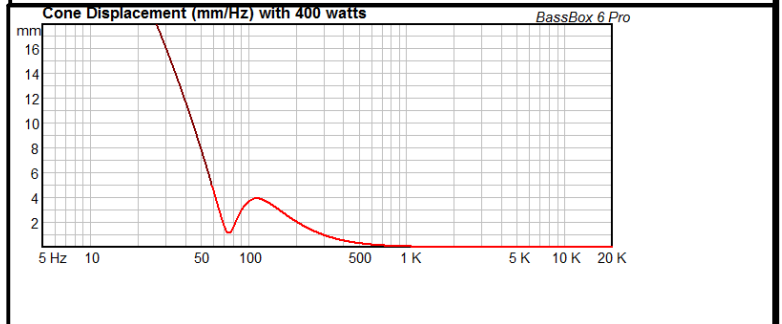
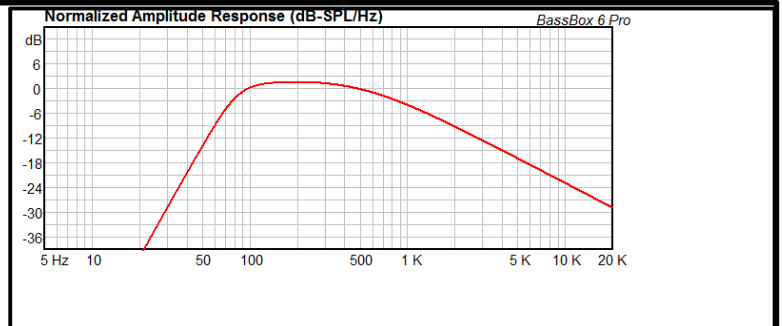
All filter LR at least 12dB/oct

Maximum angle between modules 9°

Horn type: Constant directivity

Horn dispersion: Horizontal 100°

Vertical 9°

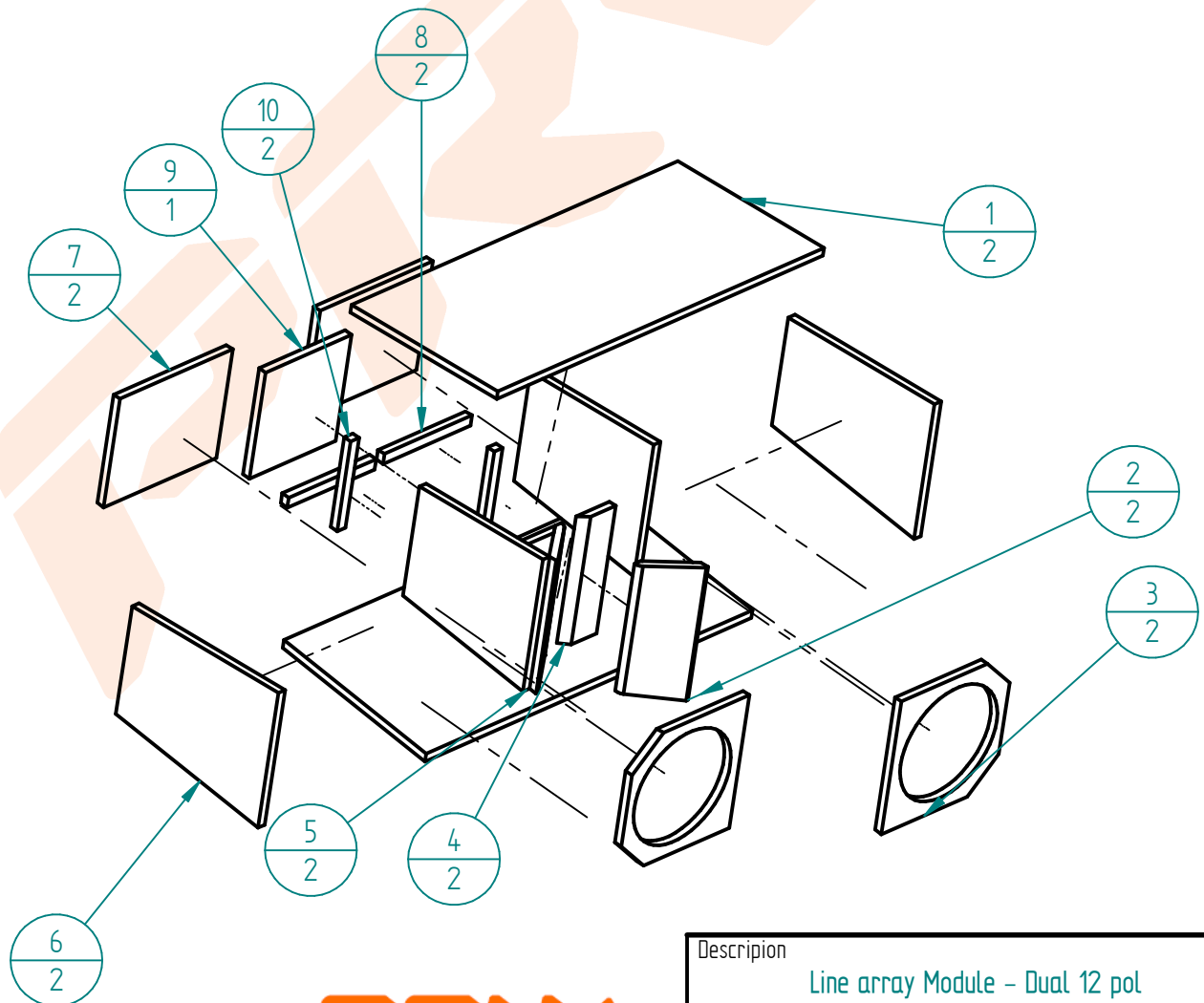


all dimensions in mm (inches)



Description		
Line array Module - Dual 12 pol		
Form	Code	REV
A4	Speaker 12MB1003FT + D3220Ti Nd -WG500	
Arquivo: Line Array 12MB1003FT.dft		

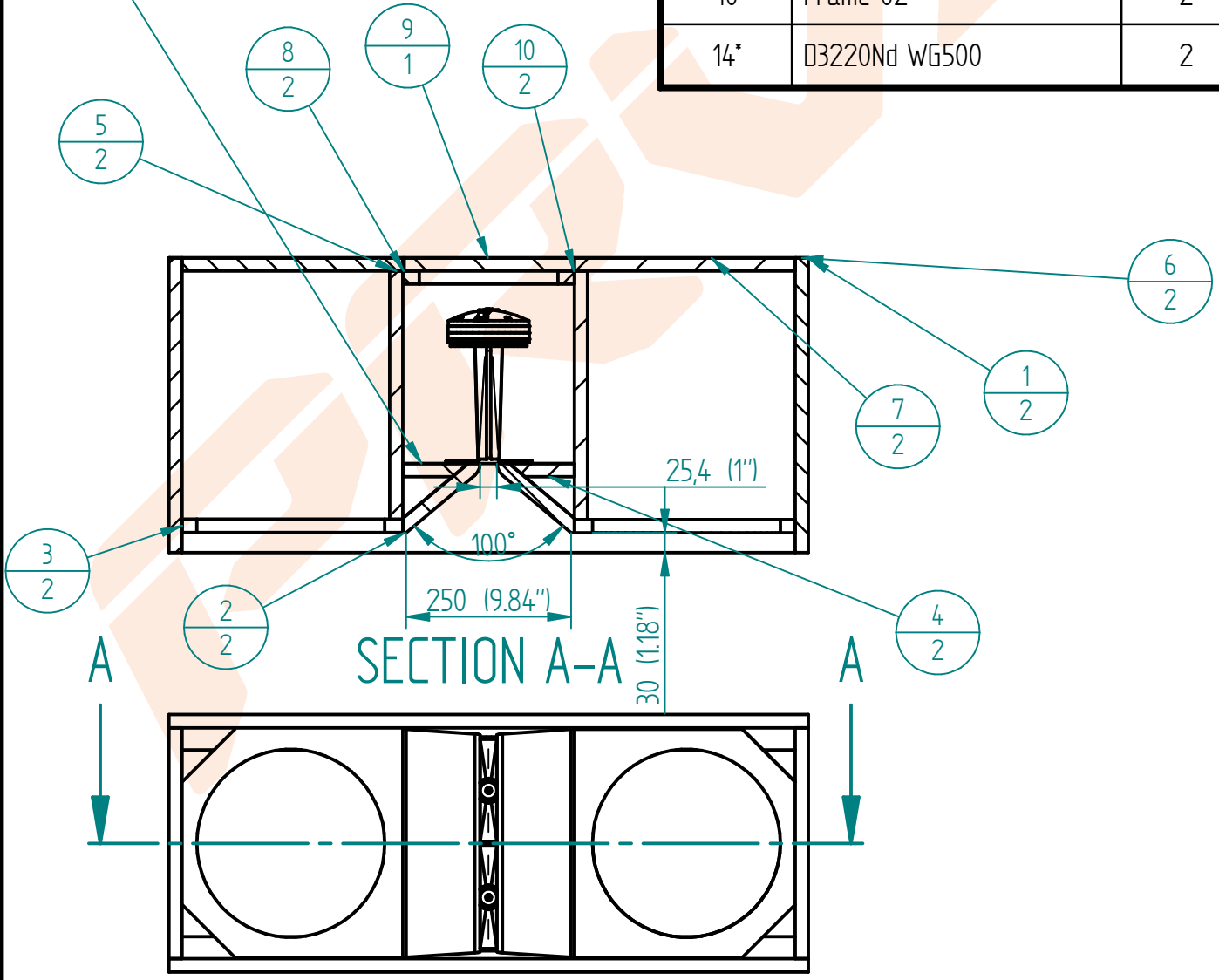
Item Number	Part Number	Quantity
1	Side 01	2
2	Wave guide Side1	2
3	Baffle 01	2
4	Wave Guide frame	2
5	Side 03	2
6	Side 02	2
7	Side 04	2
8	Frame 01	2
9	Back door	1
10	Frame 02	2
14*	D3220Nd WG500	2



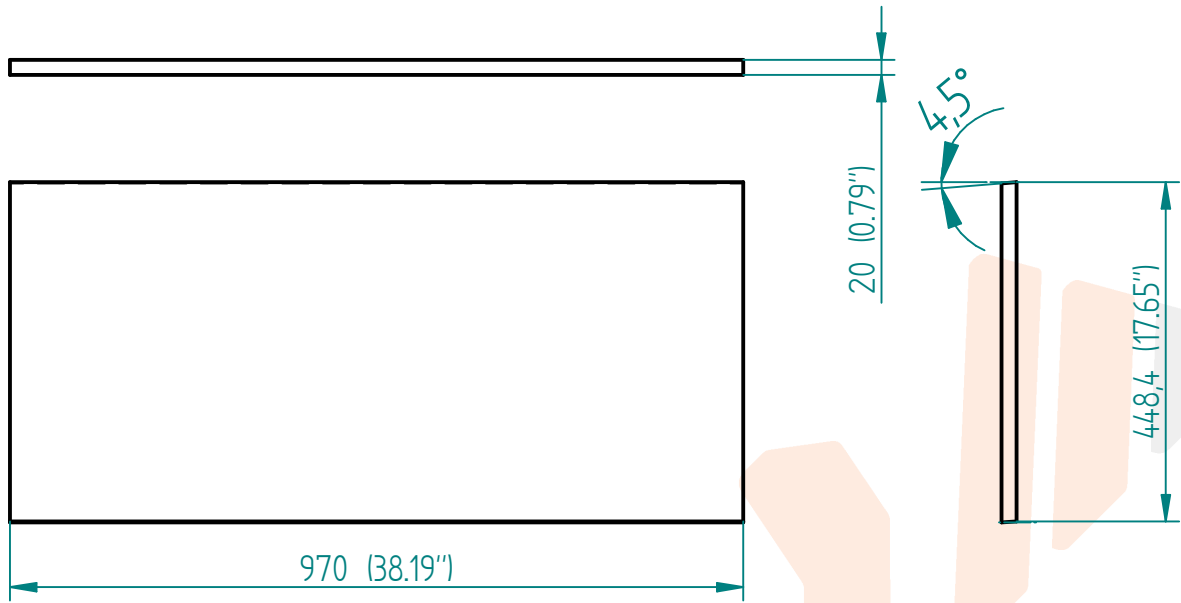
Description		
Line array Module - Dual 12 pol		
Form	Code	REV
A4	Speaker 12MB1003FT + D3220Ti Nd -WG500	
Arquivo: Line Array 12MB1003FT.dft		

Item	Part Number	Quantity
1	Side 01	2
2	Wave guide Side1	2
3	Baffle 01	2
4	Wave Guide frame	2
5	Side 03	2
6	Side 02	2
7	Side 04	2
8	Frame 01	2
9	Back door	1
10	Frame 02	2
14*	D3220Nd WG500	2

Fix the wave guide WG500 on this surface

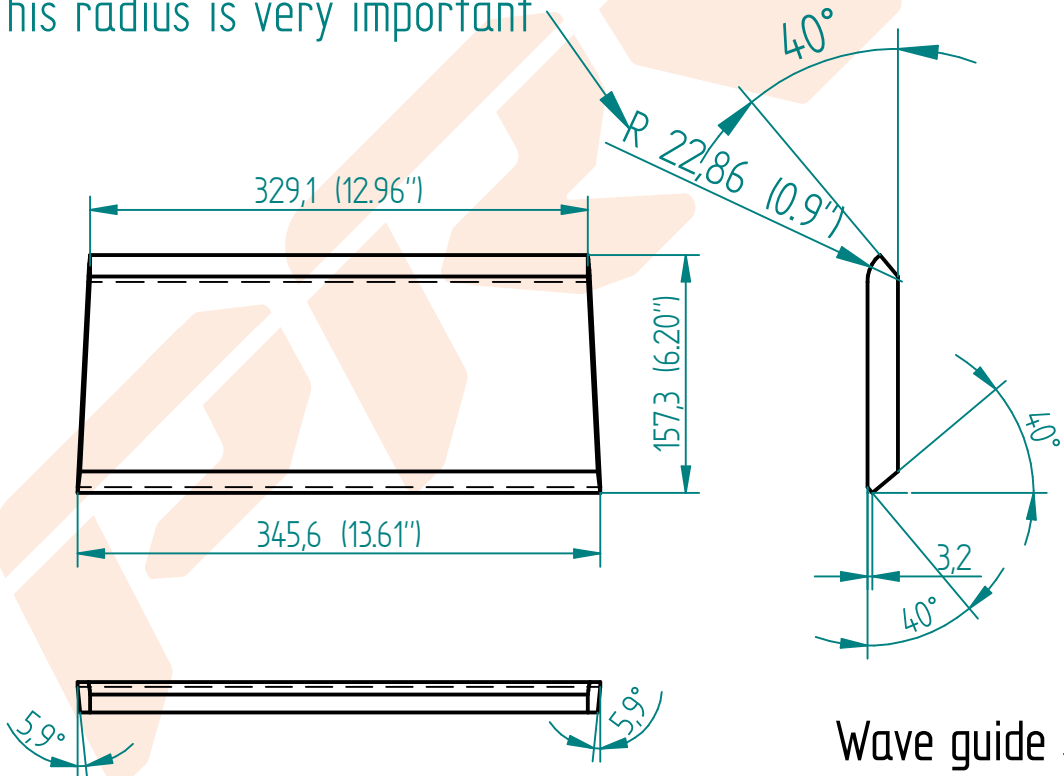


Description		
Line array Module - Dual 12 pol		
Form A4	Code Speaker 12MB1003FT + D3220Ti Nd -WG500	REV
Arquivo: Line Array 12MB1003FT.dft		



Side 01

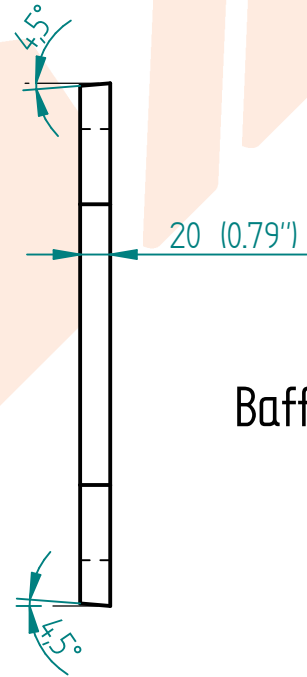
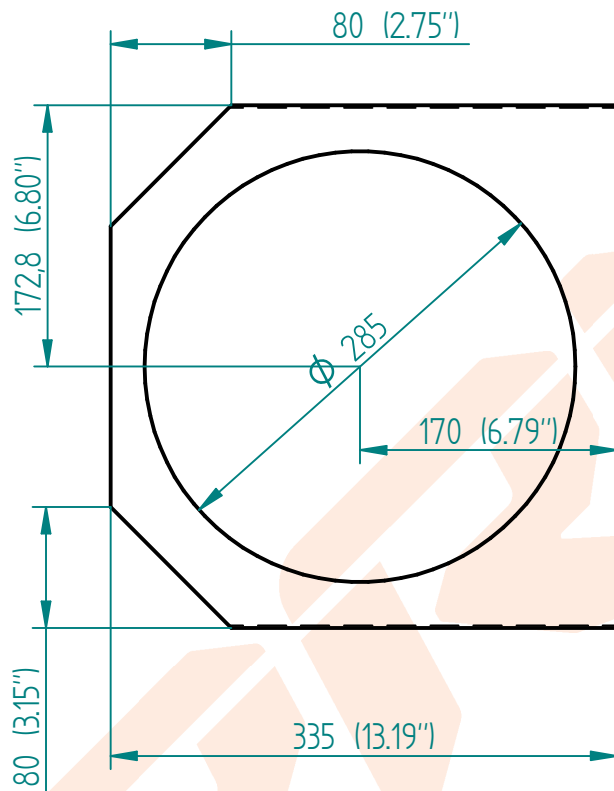
This radius is very important



Wave guide side1



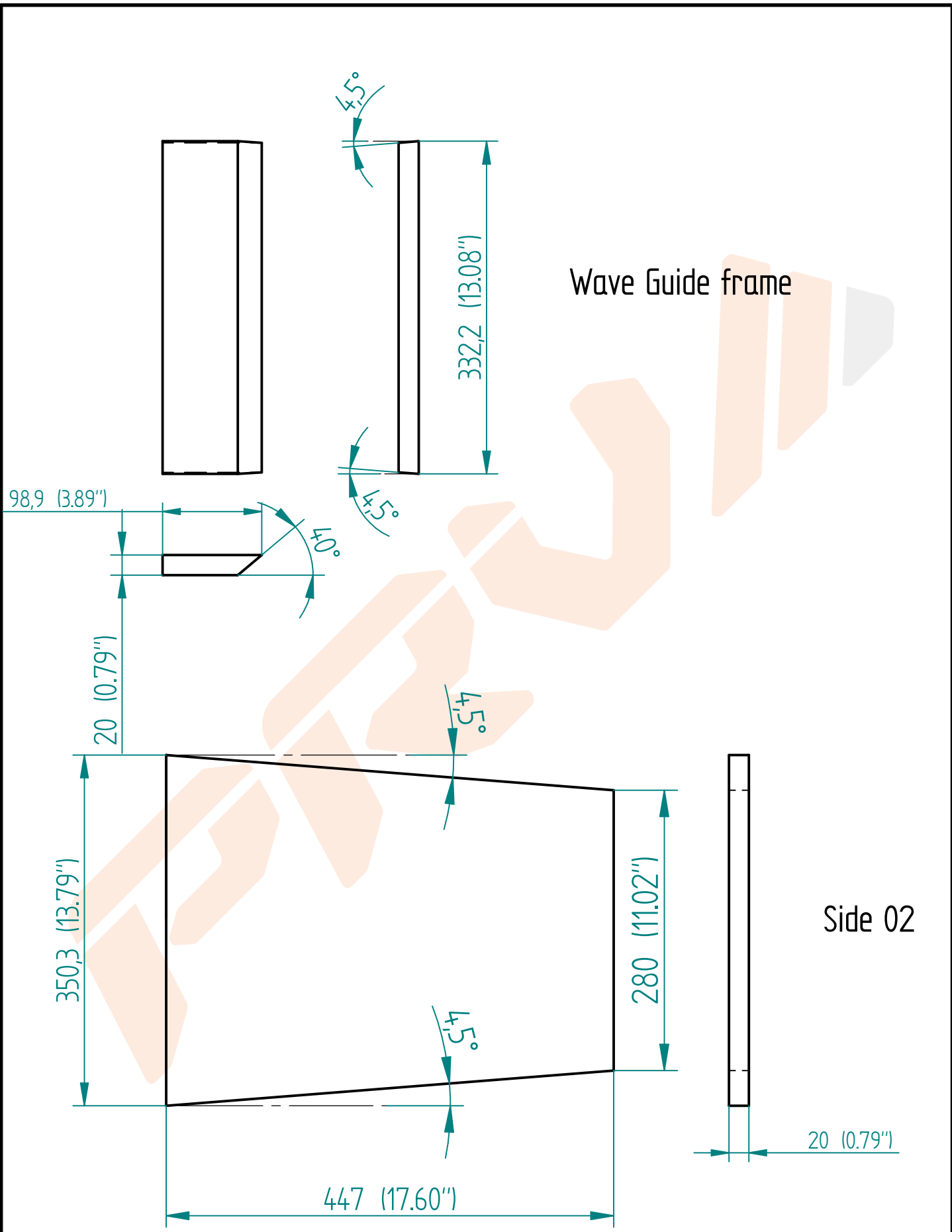
Description		
Line array Module - Dual 12 pol		
Form	Code	REV
A4	Speaker 12MB1003FT + D3220Ti Nd -WG500	
Arquivo: Line Array 12MB1003FT.dft		



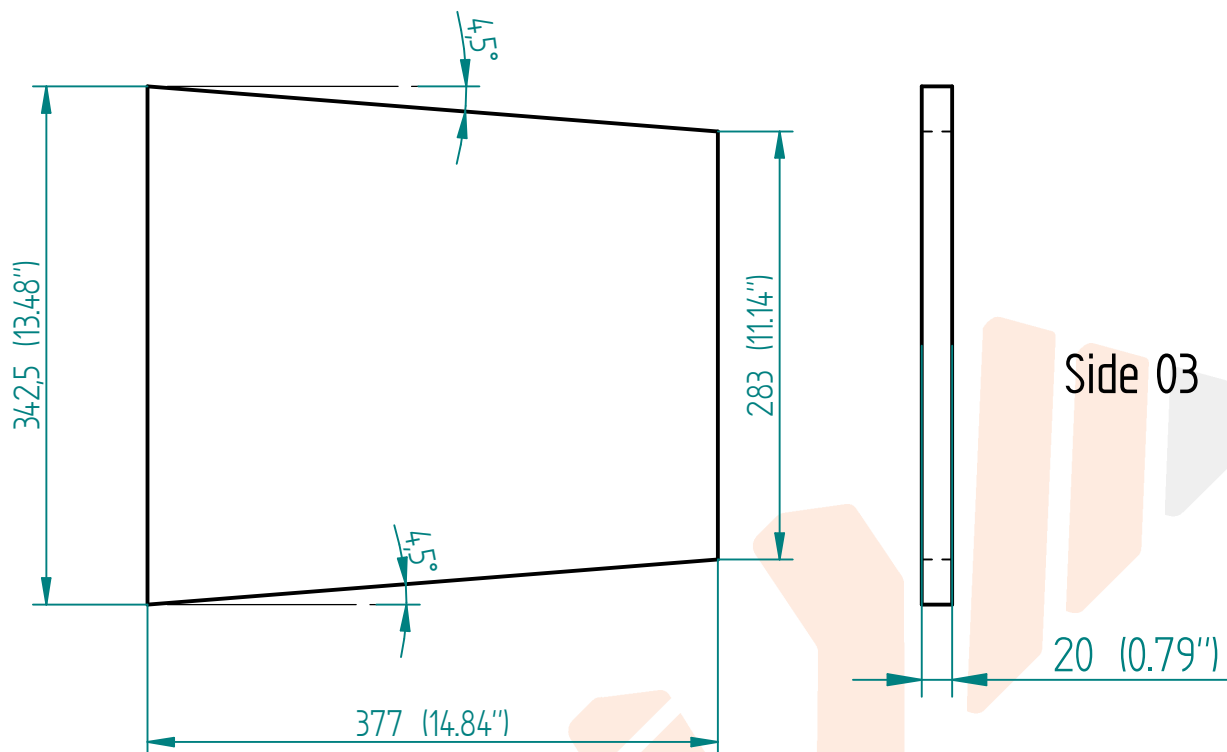
Baffle 01



Description		
Line array Module - Dual 12 pol		
Form	Code	REV
A4	Speaker 12MB1003FT + D3220Ti Nd -WG500	
Arquivo: Line Array 12MB1003FT.dft		

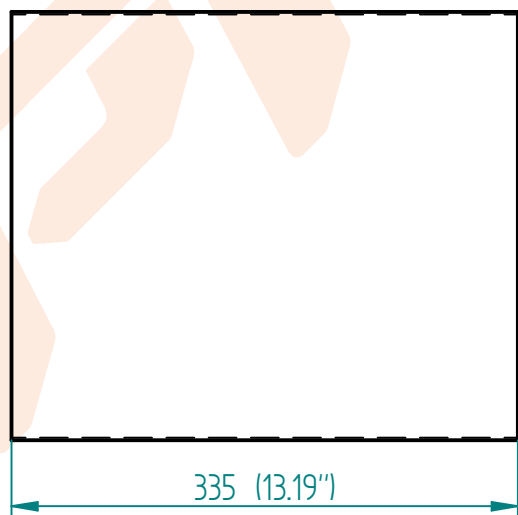


Description		
Line array Module - Dual 12 pol		
Form	Code	REV
A4	Speaker 12MB1003FT + D3220Ti Nd -WG500	
Arquivo: Line Array 12MB1003FT.dft		



Side 03

20 (0.79")



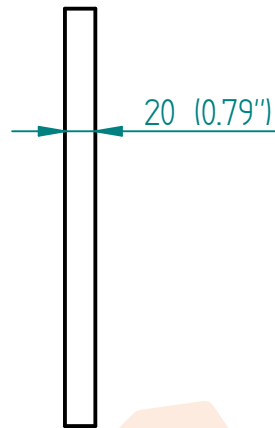
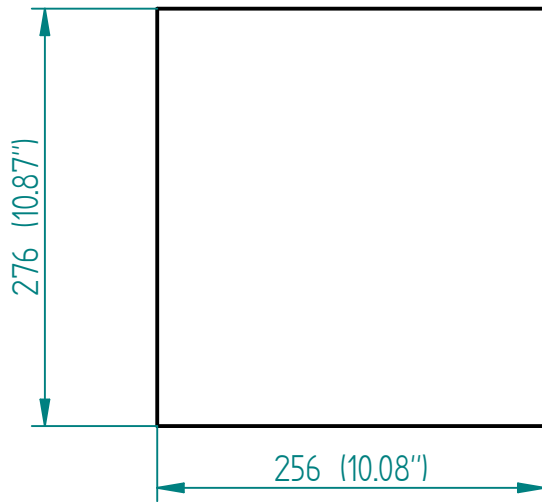
20 (0.79")



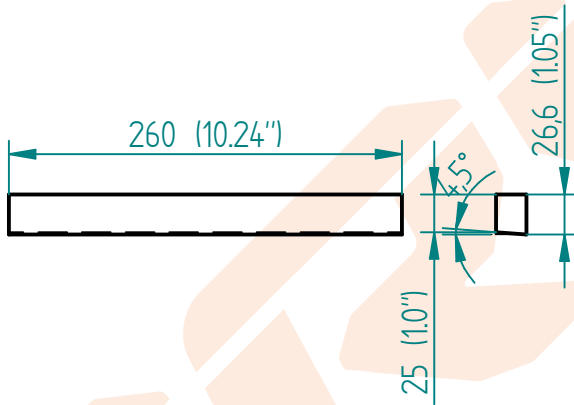
Side 04



Description		
Line array Module - Dual 12 pol		
Form	Code	REV
A4	Speaker 12MB1003FT + D3220Ti Nd -WG500	
Arquivo: Line Array 12MB1003FT.dft		



Back door



Frame 01



Frame 02



Description		
Line array Module - Dual 12 pol		
Form	Code	REV
A4	Speaker 12MB1003FT + D3220Ti Nd -WG500	
Arquivo: Line Array 12MB1003FT.dft		