

## Dual 12" Line Array Module

Application: Indoor or outdoor live music for medium to large venues

### Specifications

Net Volume = 39 liters (per speaker)

Fb = 80 Hz

F3 = 77Hz

No. of Vents = 2

Vent shape = Triangle

Dimension of vents

Area (per vent) = 35 cm<sup>2</sup>

Lv (Vent Length) = 3.8cm

Material: Plywood 18mm(0.71"- Typical 3/4")

Speakers:

2 x 12MB1003FT

2 x D3220Ti-ND 16 Ohms

2 x WG500

Crossover frquencies:

High pass at 100Hz (low)

Low pass at 1400Hz (low)

High pass at 1600Hz (compression driver)

Low Pass at 16Khz (compression drive)

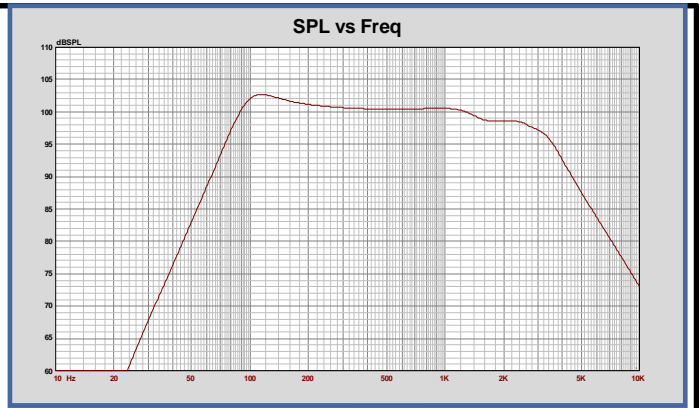
All filter LR at least 12dB/oct

Maximum angle between modules 9°

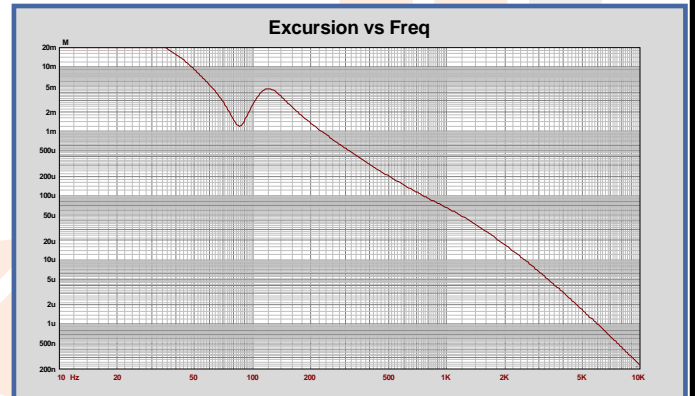
Horn type: Constant directivity

Horn dispersion: Horizontal 90°

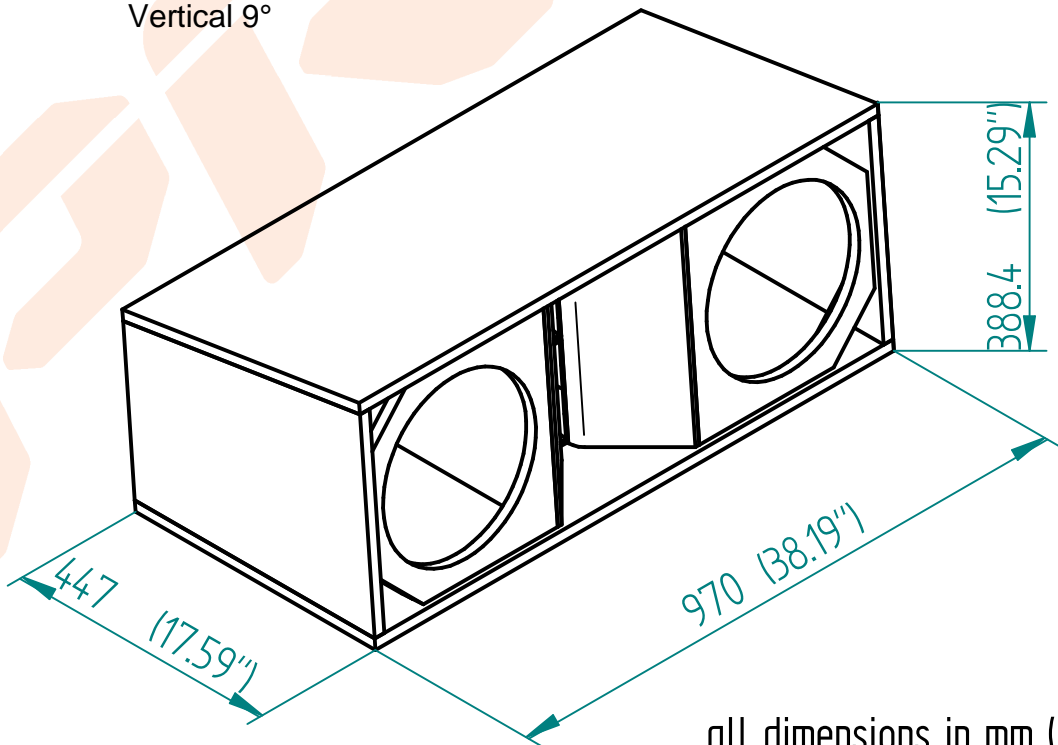
Vertical 9°



SPL 1W - 1 Speaker

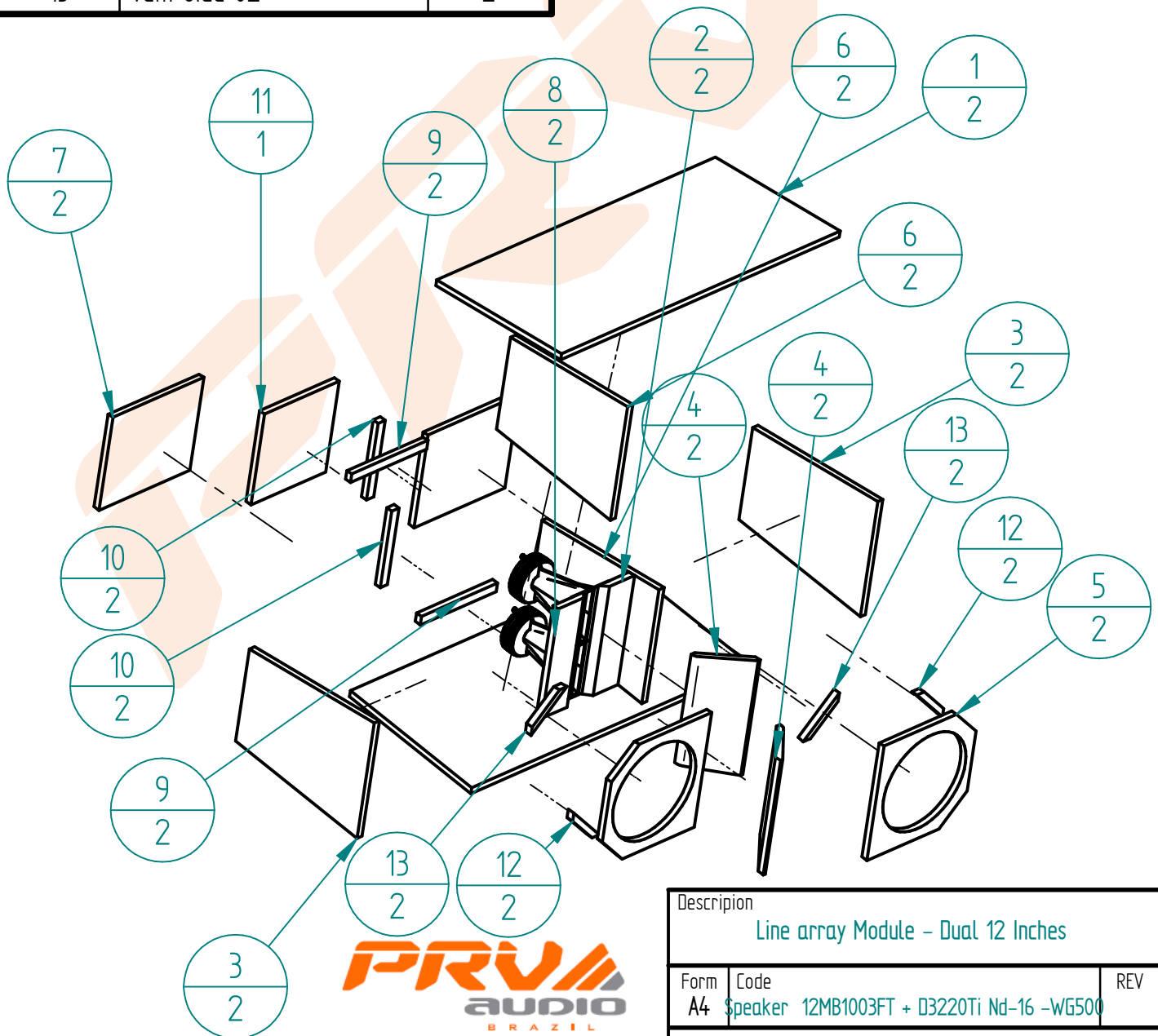


Cone Displacement at 1000W



Description		
Line array Module - Dual 12 Inches		
Form	Code	REV
A4	Speaker 12MB1003FT + D3220Ti Nd-16 -WG500	
Arquivo: Dual 12 Inches Line Array Module .dft		

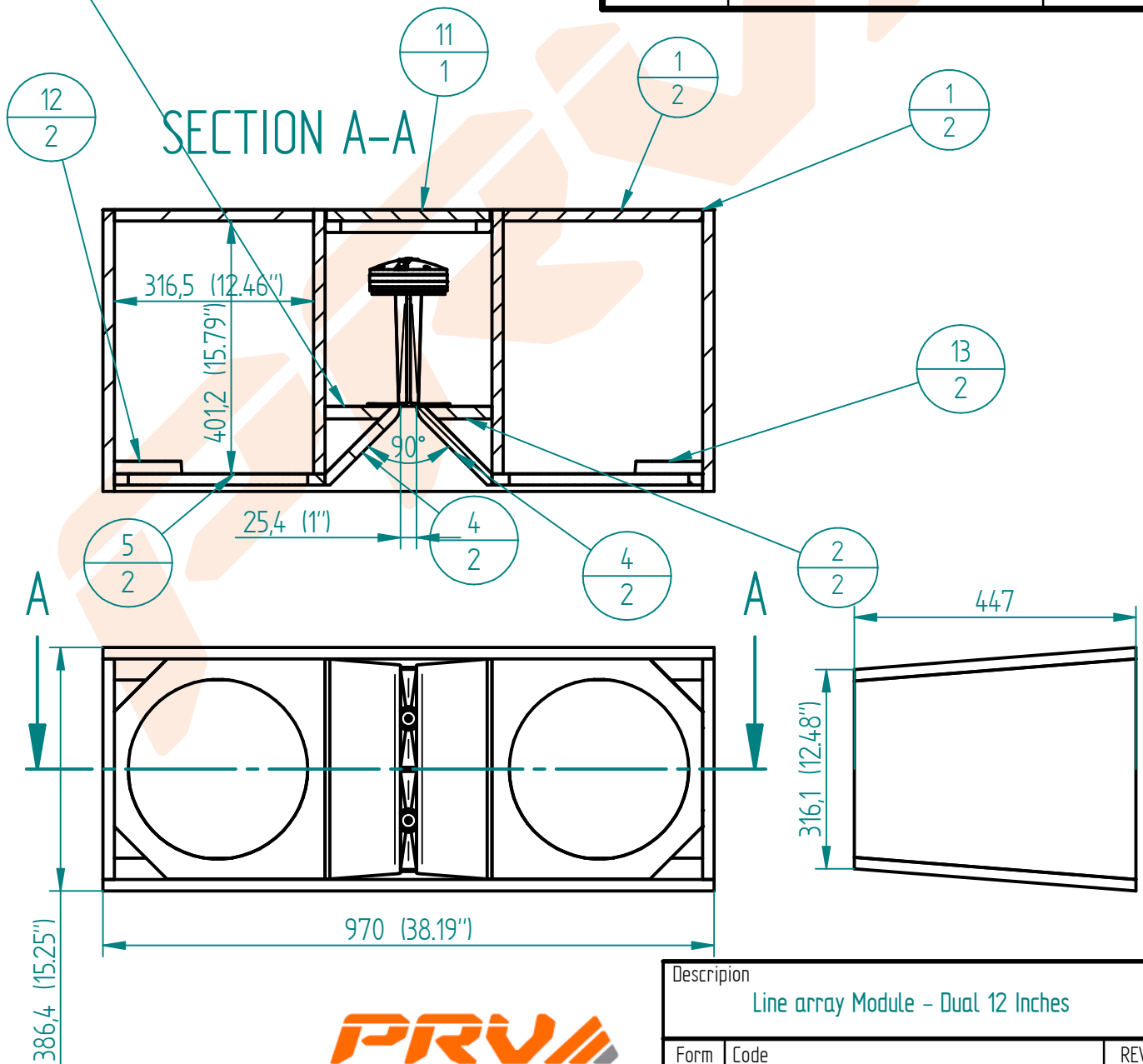
Item Number	Part Number	Quantity
1	Side 01	2
2	Wave Guide Side	2
3	Side 02	2
4	Wave guide Side1	2
5	Baffle 01	2
6	Side 03	2
7	Side 04	2
8	D3220Nd-16 WG500	2
9	Side 05	2
10	Side 07	2
11	Side 06	1
12	Vent side 01	2
13	Vent side 02	2



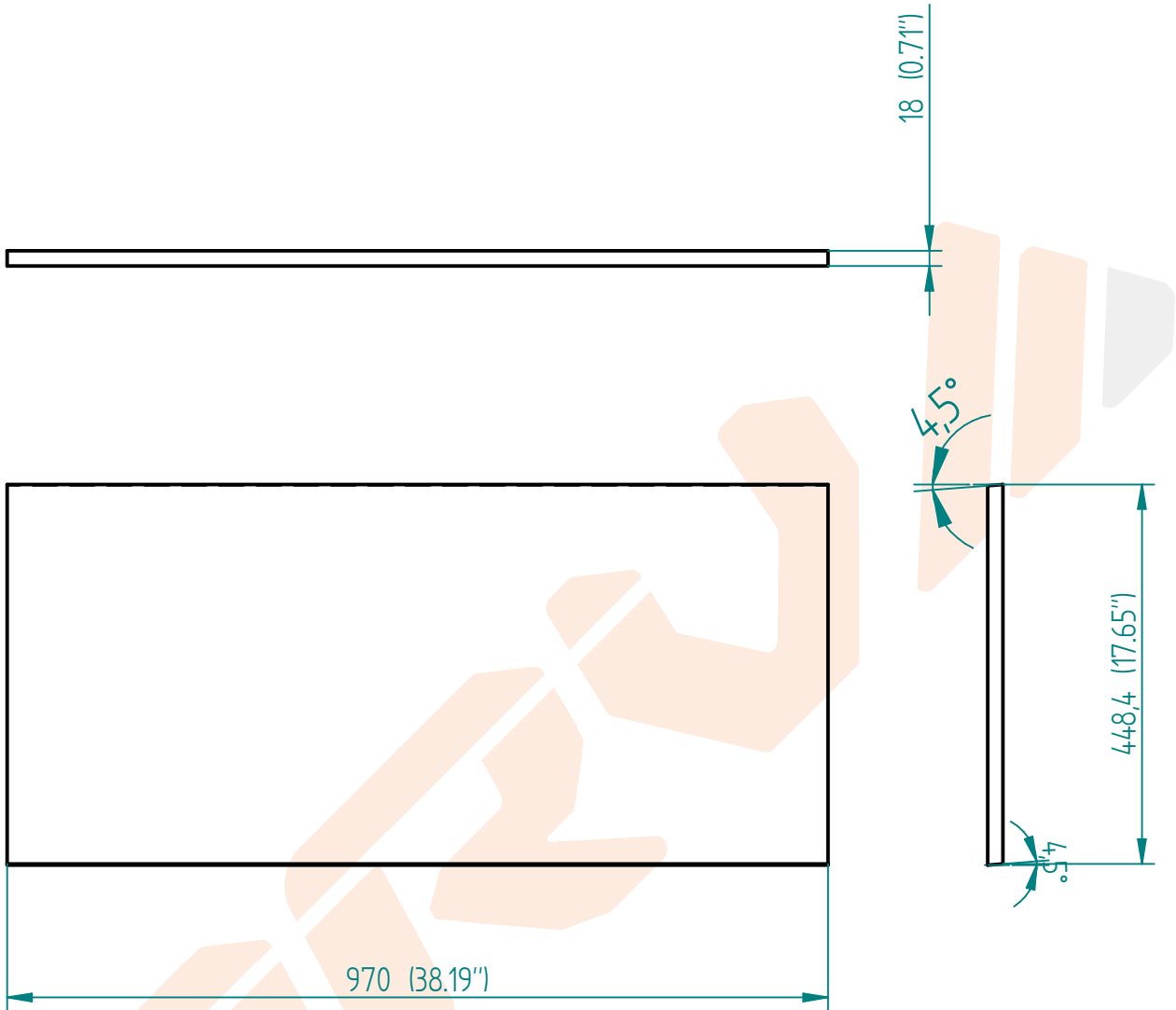
Description		
Line array Module - Dual 12 Inches		
Form	Code	REV
A4	Speaker 12MB1003FT + D3220Ti Nd-16 -WG500	
Arquivo: Dual 12 Inches Line Array Module .dft		

Item	Part Number	Quantity
1	Side 01	2
2	Wave Guide Side	2
3	Side 02	2
4	Wave guide Side1	2
5	Baffle 01	2
6	Side 03	2
7	Side 04	2
8	D3220Nd-16 WG500	2
9	Side 05	2
10	Side 07	2
11	Side 06	1
12	Vent side 01	2
13	Vent side 02	2

Fix the wave guide WG500 on this surface



Description		
Line array Module - Dual 12 Inches		
Form	Code	REV
A4	Speaker 12MB1003FT + D3220Ti Nd-16 -WG500	
Arquivo: Dual 12 Inches Line Array Module .dft		

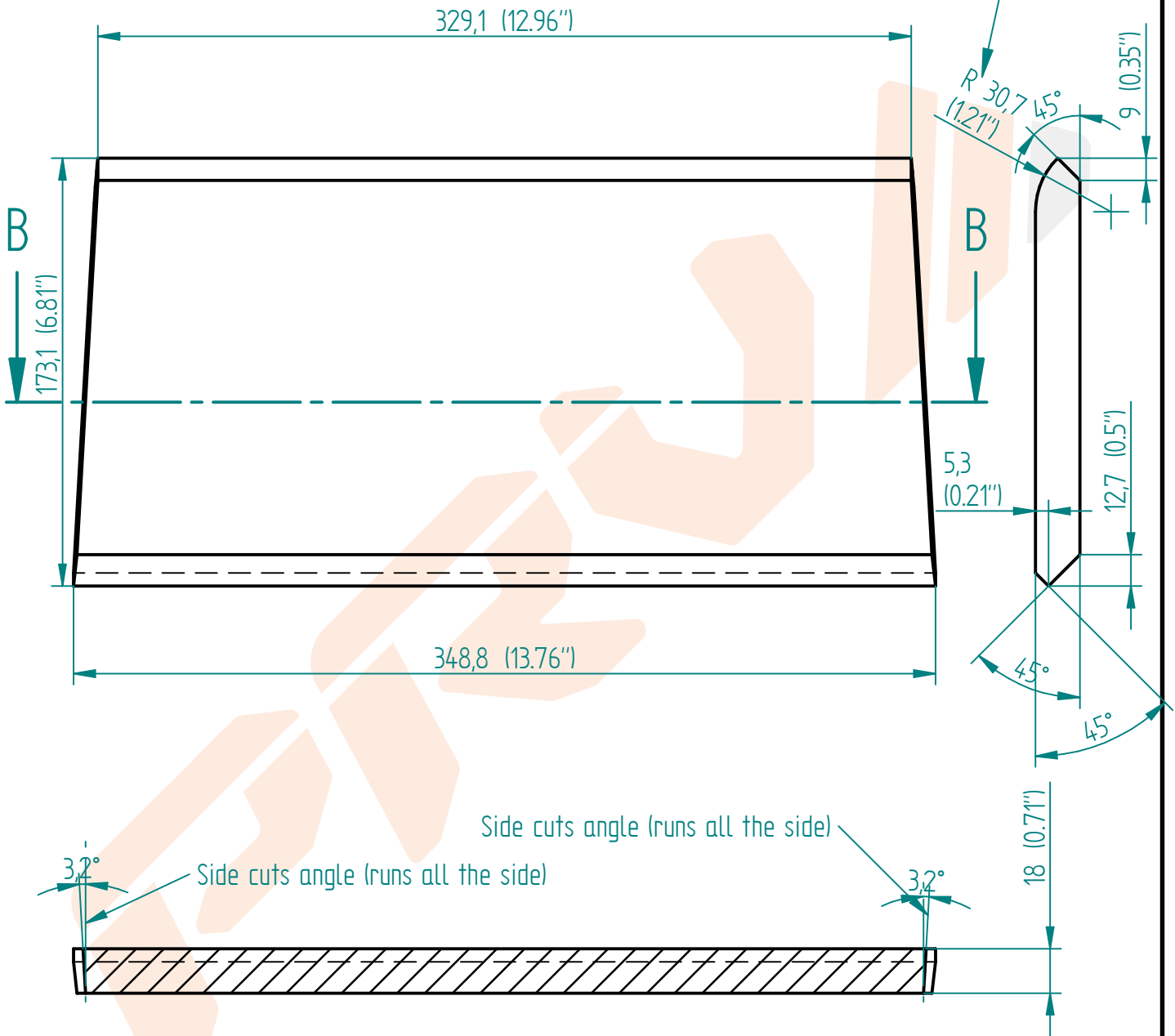


Side 01



Description		
Line array Module - Dual 12 Inches		
Form	Code	REV
A4	Speaker 12MB1003FT + D3220Ti Nd-16 -WG500	
Arquivo: Dual 12 Inches Line Array Module .dft		

This radius is very important



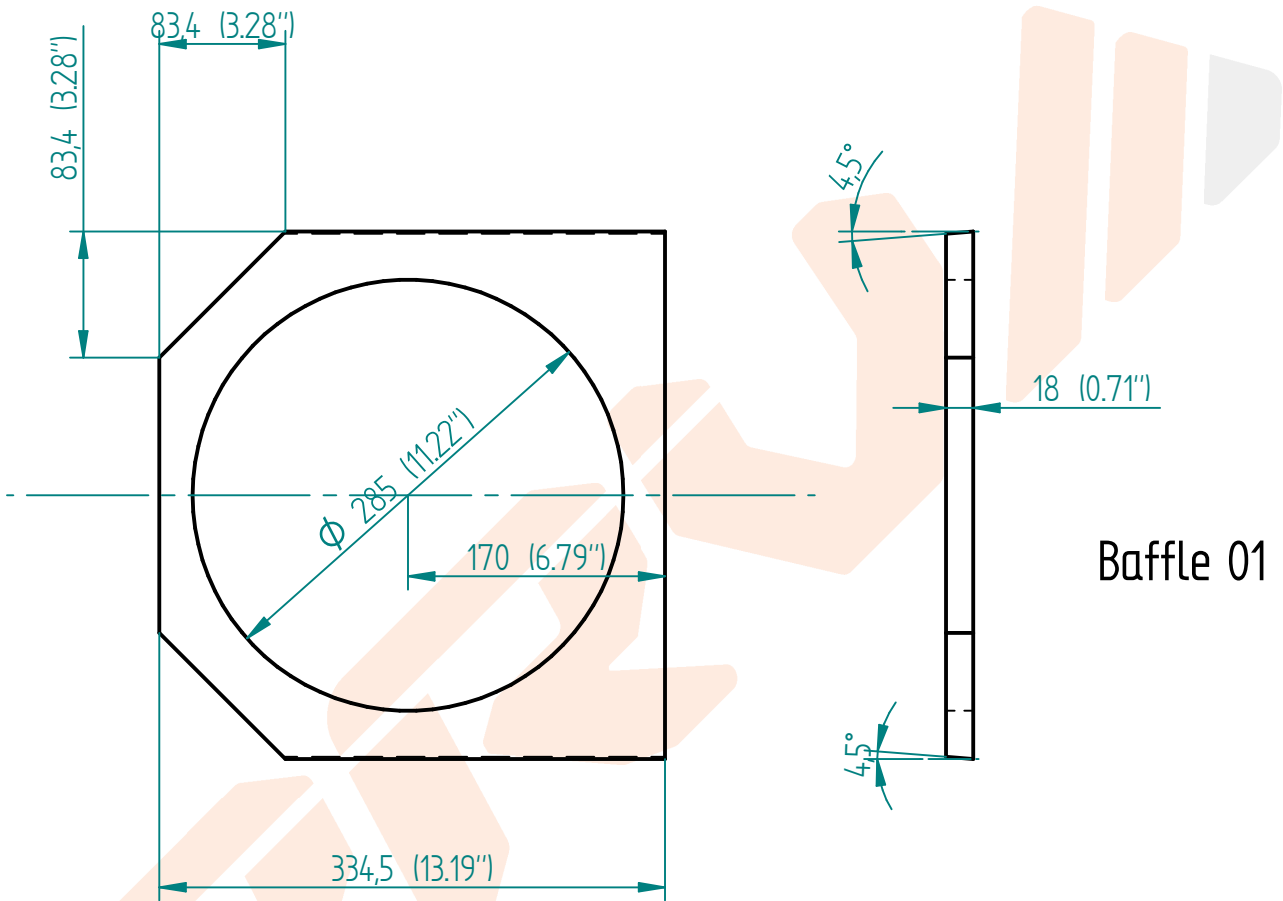
## SECTION B-B

WAve Guide Side 01

Wave guide side1



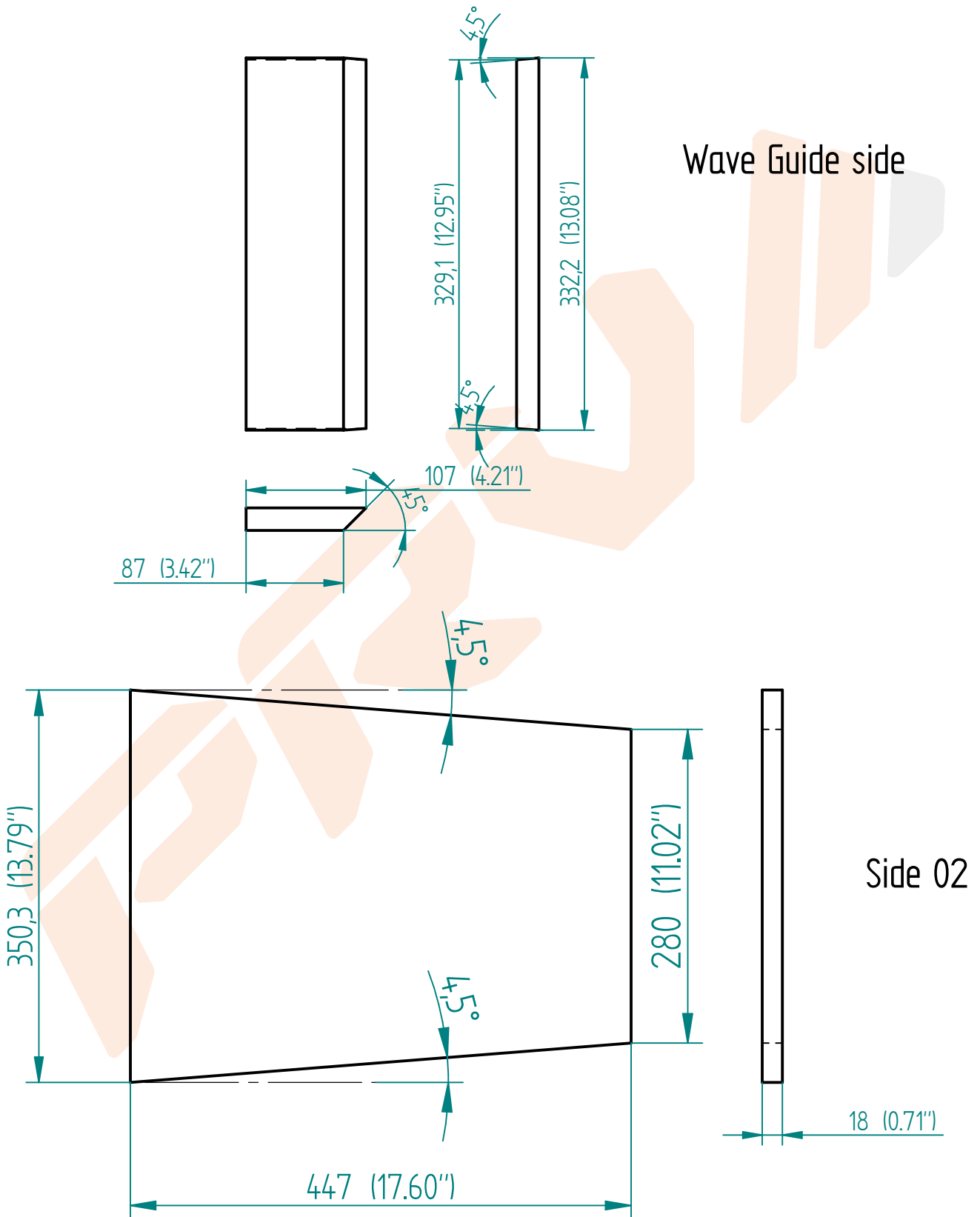
Description		
Line array Module - Dual 12 Inches		
Form	Code	REV
A4	Speaker 12MB1003FT + D3220Ti Nd-16 -WG500	
Arquivo: Dual 12 Inches Line Array Module .dft		



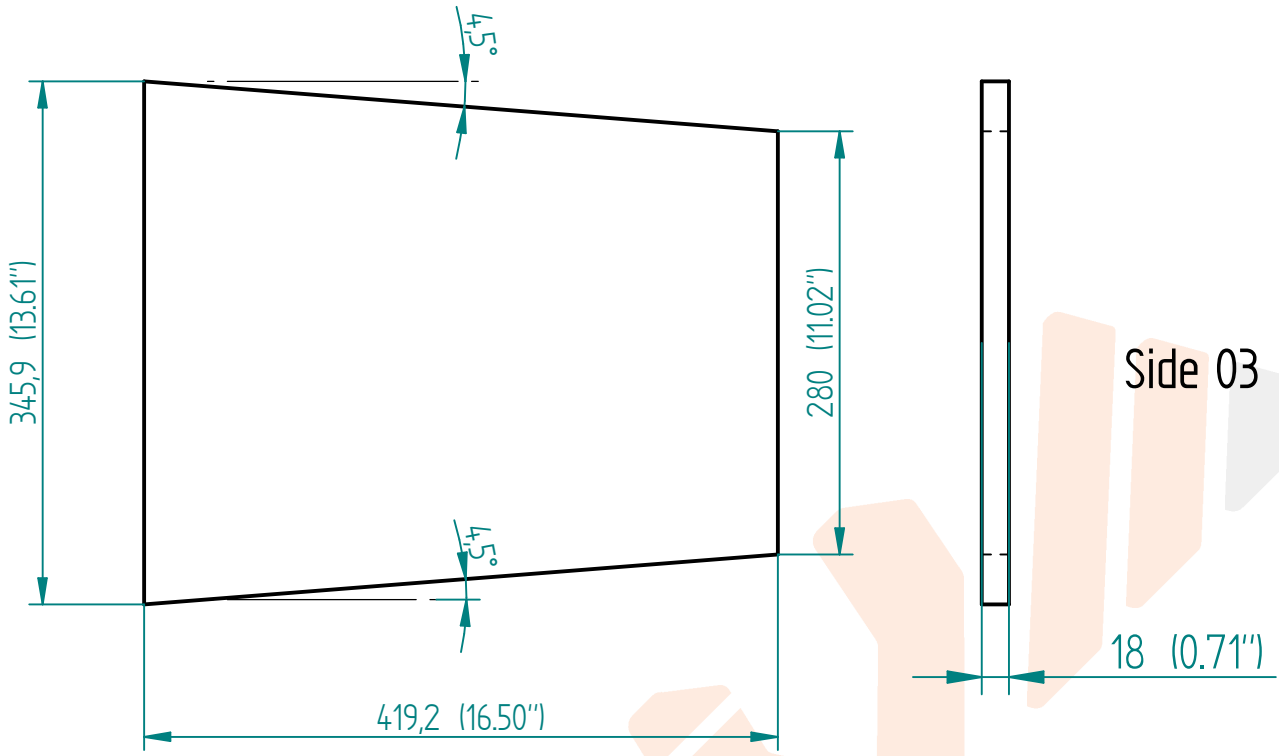
Baffle 01



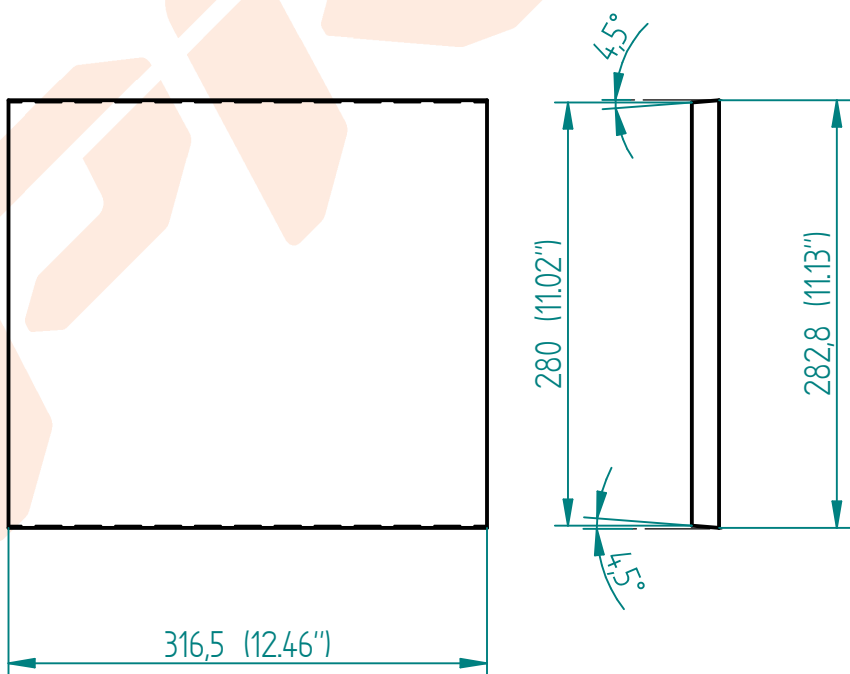
Description		
Line array Module - Dual 12 Inches		
Form	Code	REV
A4	Speaker 12MB1003FT + D3220Ti Nd-16 -WG500	
Arquivo: Dual 12 Inches Line Array Module .dft		



Description		
Line array Module - Dual 12 Inches		
Form	Code	REV
A4	Speaker 12MB1003FT + D3220Ti Nd-16 -WG500	
Arquivo: Dual 12 Inches Line Array Module .dft		



Side 03

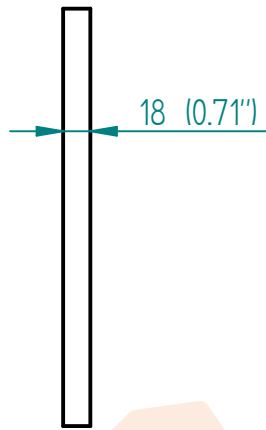
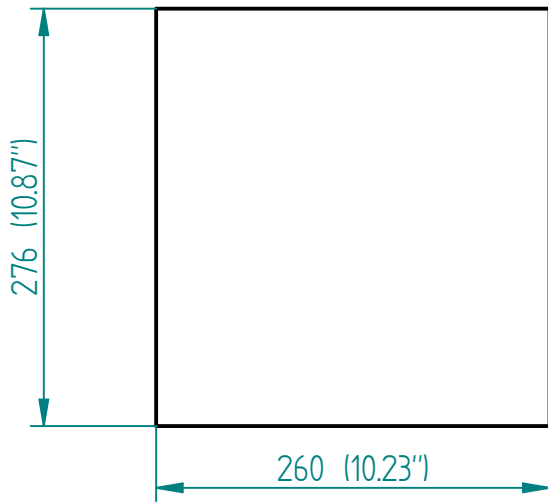


Side 04

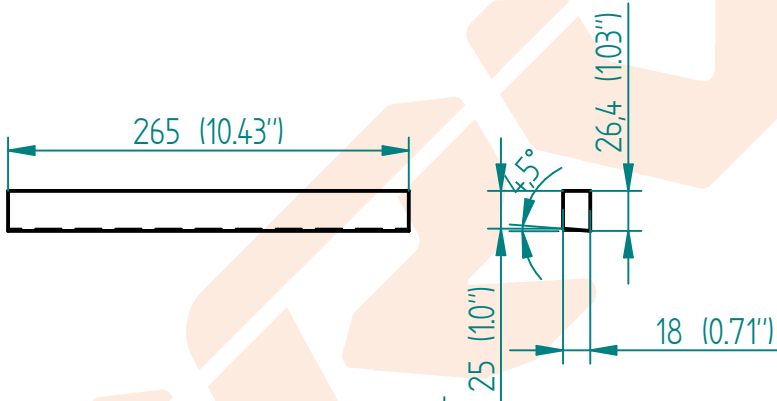


Description		
Line array Module - Dual 12 Inches		
Form	Code	REV
A4	Speaker 12MB1003FT + D3220Ti Nd-16 -WG500	
Arquivo: Dual 12 Inches Line Array Module .dft		

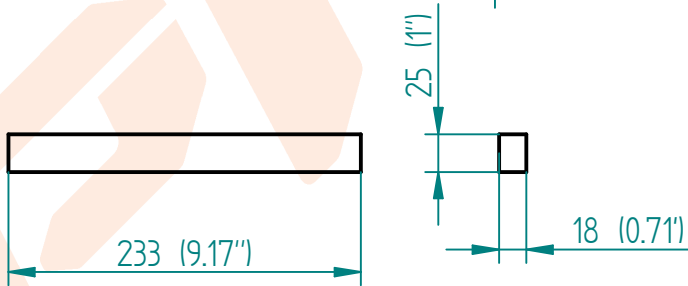




Side 06



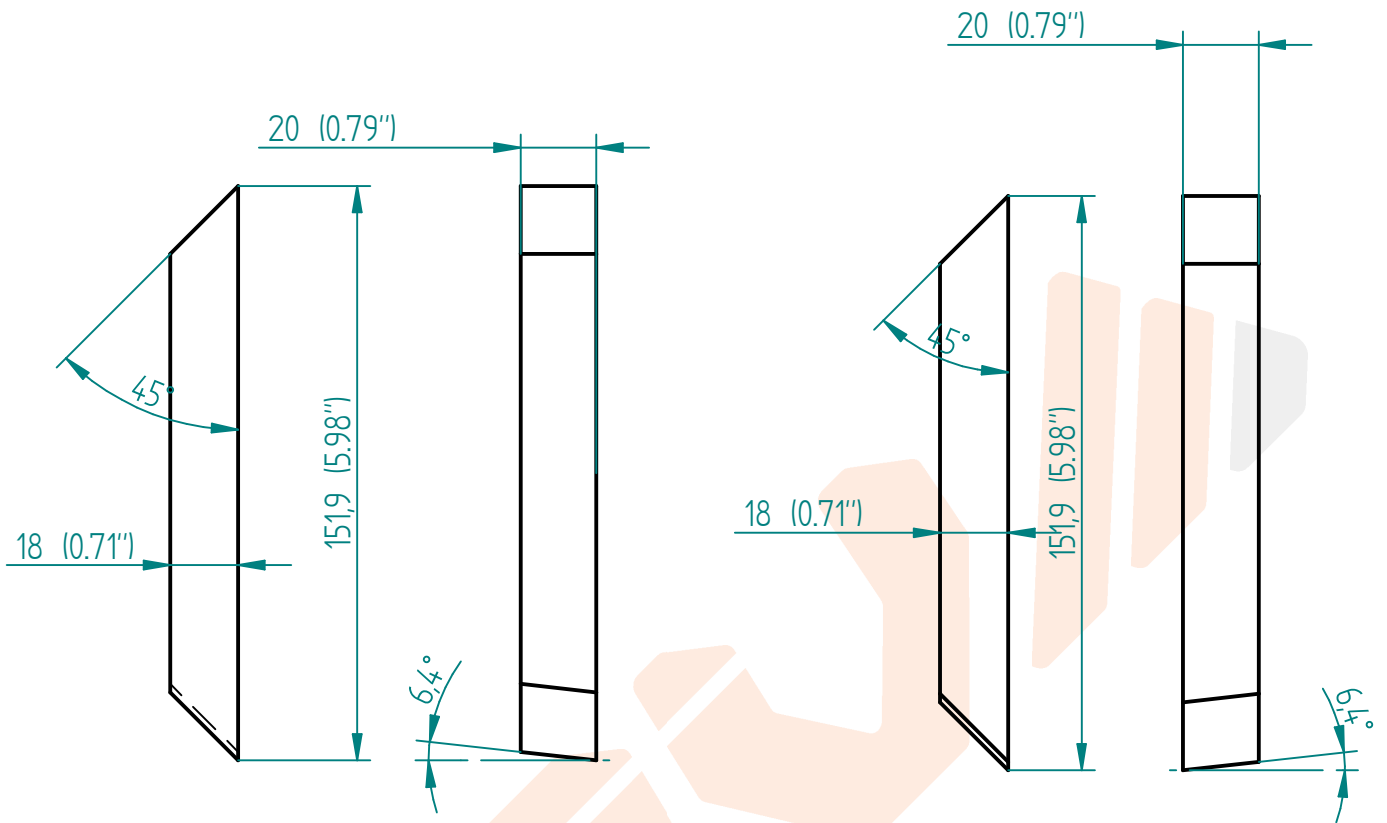
Side 05



Side 07



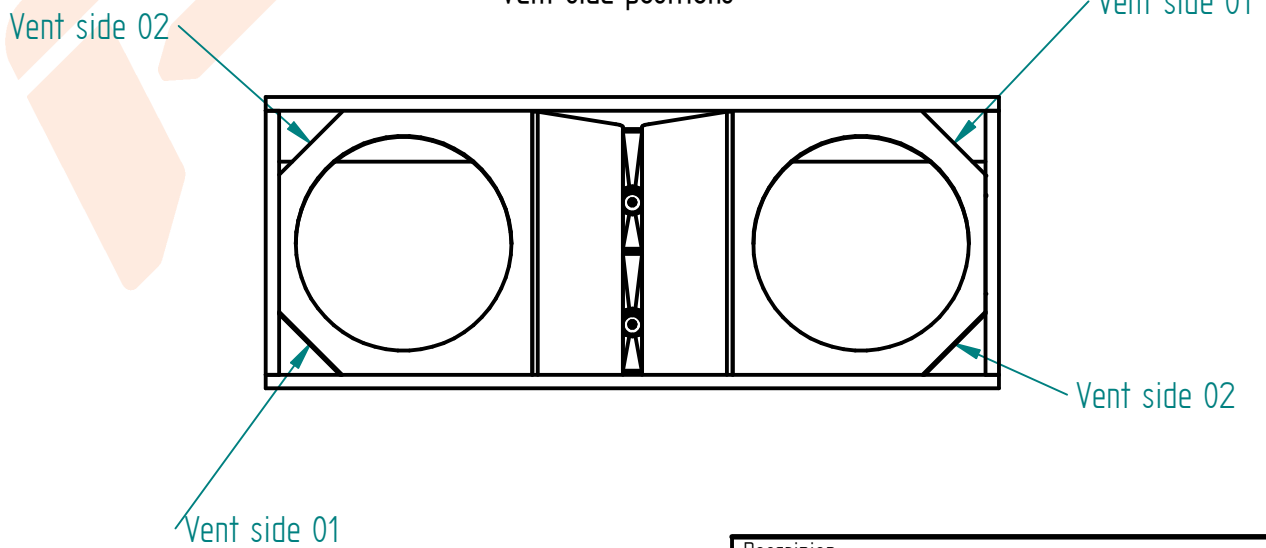
Description		
Line array Module - Dual 12 Inches		
Form	Code	REV
A4	Speaker 12MB1003FT + D3220Ti Nd-16 -WG500	
Arquivo: Dual 12 Inches Line Array Module .dft		



Vent Side 01

Vent Side 02

Vent side positions



Description		
Line array Module - Dual 12 Inches		
Form	Code	REV
A4	Speaker 12MB1003FT + D3220Ti Nd-16 -WG500	
Arquivo: Dual 12 Inches Line Array Module .dft		