

10W650A-4

Professional Low Frequency Driver



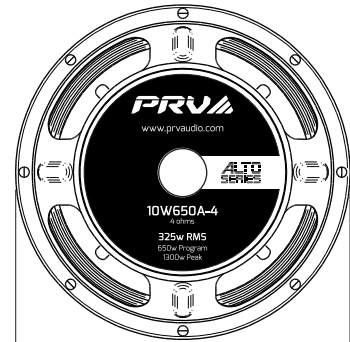
KEY FEATURES

- 2.5" Voice coil
- 325 Watts continuous power handling
- 97 dB Sensitivity
- 75- 5,500 Hz



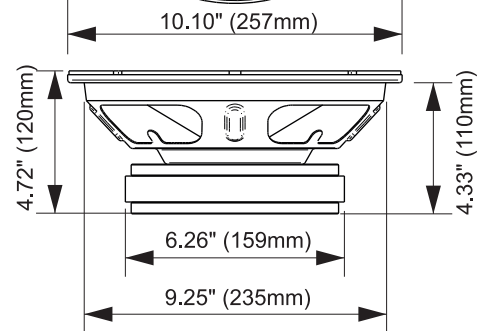
GENERAL SPECIFICATIONS

Nominal Diameter	10" (254 mm)
Nominal impedance	4 ohms
Rated Power Handling	325 Watts
Program Power	650 Watts
Sensitivity 2.00V at 1m	97 dB
Recommended Hi Pass Crossover*	150 Hz*
<small>*For Full Power Handling</small>	<small>*12db Per Octave Crossover</small>
Frequency Response at -10dB	75- 5,500 Hz
Voice Coil Diameter	2.5" (65.5 mm)
Voice Coil Wire	CCAW
Voice Coil Winding Depth	13.0 mm
Former Material	Kapton
Magnetic Gap Depth	10.0 mm
Frame Material	Stamped Steel



THIELE-SMALL PARAMETERS

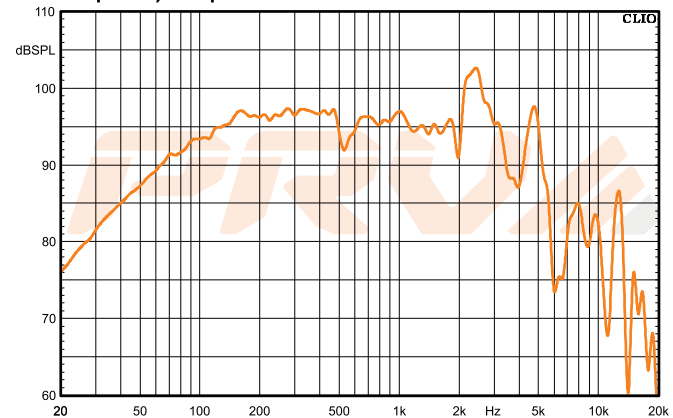
Equivalent Volume	Vas	41.23 l
Excursion (mathematical)***	Xmax	4.00 mm
Free Air Resonance	Fs	66.88 Hz
Mechanical Factor	Qms	16.07
Electrical Factor	Qes	0.40
Total Factor	Qts	0.39
Cone Area	Sd	415 cm ²
Mechanical Mass	Mms	33.09 g
Bl Factor	BL	11.23 Tm
Dc Resistance	Re	3.7 Ohms
Inductance	Le	0.57 mH at 1 kHz
Mechanical Mass Without Air	Mmd	28.30 g
Mechanical Compliance	Cms	0.171 mm/N



EXTRA INFO

Overall Diameter	10.10" (257 mm)
Front Mount Baffle Cutout	9.25" (235 mm)
Mounting Depth	4.3" (110 mm)
Overall Depth	4.72" (120 mm)
Net Weight	10.49 Lbs (4.75 kg)
Shipping Weight	12.01 Lbs (5.45 kg)
Carton Dimensions W x L x H	12.2" x 12.2" x 7.28" (310 x 310 x 185 mm)

Frequency Response Measured at 2.00V/1m



PRV AUDIO USA (USA and Export) PRV AUDIO BRAZIL (Brazilian Sales Only)
 FORT LAUDERDALE, FL SAO LEOPOLDO, RS
 support@prvaudio.com vendas@pvaudio.com.br
 www.prvaudio.com www.pvaudio.com.br

***Xmax=(Voice coil winding depth-Magnetic Gap depth)/2+ Magnetic Gap Depth/4