

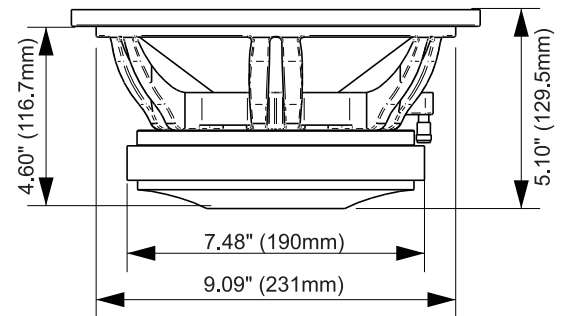
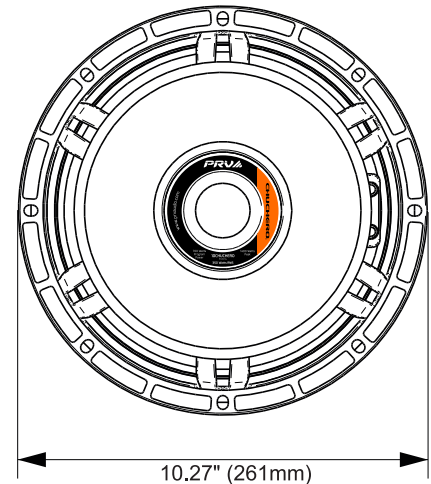
10CHUCHERO

Professional Low Frequency Driver



KEY FEATURES

- 3" Voice coil
- 350 Watts continuous power handling
- 98.5 dB Sensitivity
- 125 - 6,000 Hz



GENERAL SPECIFICATIONS

Nominal Diameter	10" (254 mm)
Nominal impedance	8 Ohms
Rated Power Handling	350 Watts
Program Power	700 Watts
Sensitivity 2.83V at 1m	98.5 dB
Recommended Hi Pass Crossover*	160 Hz*
<small>*For Full Power Handling</small>	<small>*12db Per Octave Crossover</small>
Frequency Response at -10dB	125 - 6,000 Hz
Voice Coil Diameter	3" (75 mm)
Voice Coil Wire	CCAW
Voice Coil Winding Depth	10.0 mm
Former Material	Glass Fiber
Magnetic Gap Depth	10.0 mm
Frame Material	Die cast Aluminum

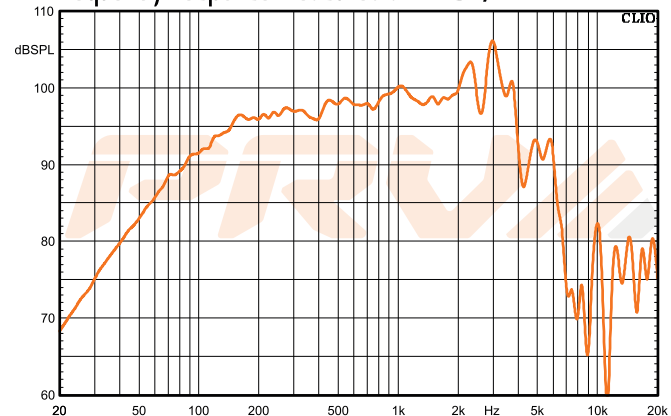
THIELE-SMALL PARAMETERS

Equivalent Volume	Vas	10.16 l
Excursion (mathematical)***	Xmax	2.5 mm
Free Air Resonance	Fs	111.2 Hz
Mechanical Factor	Qms	12.54
Electrical Factor	Qes	0.578
Total Factor	Qts	0.55
Cone Area	Sd	346 cm ²
Mechanical Mass	Mms	33.71 g
Bl Factor	BL	15.24 Tm
Dc Resistance	Re	5.7 Ohms
Inductance	Le	0.54 mH at 1 kHz
Mechanical Mass Without Air	Mmd	30.06 g
Mechanical Compliance	Cms	0.060 mm/N

EXTRA INFO

Overall Diameter	10.27" (261 mm)
Front Mount Baffle Cutout	9.09" (231 mm)
Mounting Depth	4.60" (116.7 mm)
Overall Depth	5.10" (129.5 mm)
Net Weight	15.65 Lbs (7.10 kg)
Shipping Weight	16.80 Lbs (7.62 kg)
Carton Dimensions W x L x H	11.42" x 11.42" x 5.90" (290 x 290 x 150mm)

Frequency Response Measured at 2.83V/1m



PRV AUDIO USA (USA and Export) PRV AUDIO BRAZIL (Brazilian Sales Only)
 FORT LAUDERDALE, FL SAO LEOPOLDO, RS
 support@prvaudio.com vendas@pvaudio.com.br
 www.prvaudio.com www.pvaudio.com.br

***Xmax=(Voice coil winding depth-Magnetic Gap depth)/2+ Mgnetic Gap Depth/4