

## Specifications

Net Volume = 2.3 liters (per speaker)

QL = 14

F3 = 112.3Hz (considering 1 speaker)

Closed Box enclosure

Material: Plywood 0.625" (5/8")

Speakers:

6 x 4MR60-4

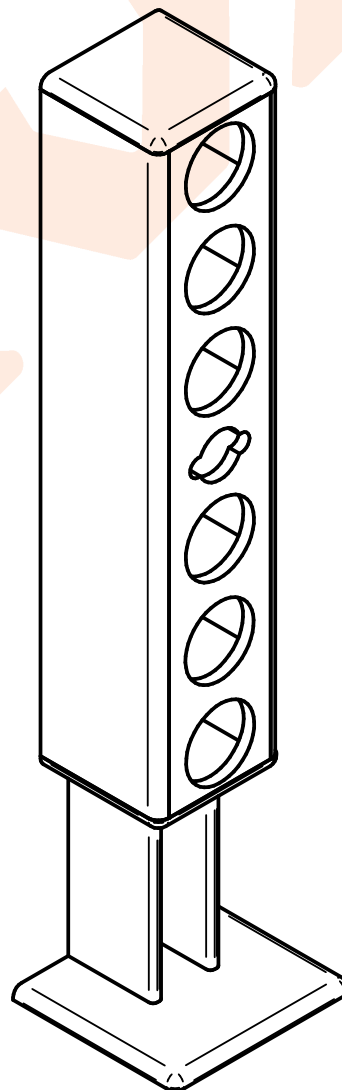
1 x TW500My-Nd

Crossover frequency:

4500Hz 24dB/Octave

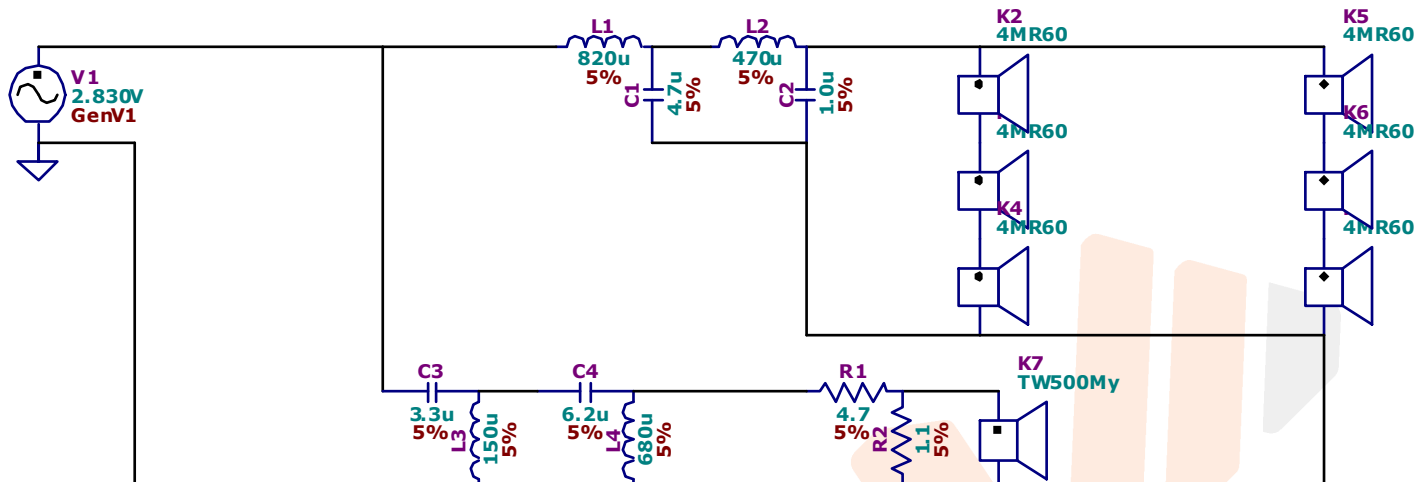
Freq. response: 60-18000Hz

See next page the circuit schematic



Description		
Speaker Column 6X4MR60-4 1xTW500My-Nd -		
Form	Code	REV
A4		
Arquivo: Column 6 x 4MR60-4 - 1 x Tw500My.dft		

# Circuit schematic



## List of components

6x PRV 4MR60-4

1x PRV TW500My-Nd

Inductor L1 = 820uH

Inductor L2 = 470uH

Inductor L3 = 150uH

Inductor L4 = 680uH

Capacitor C1 = 4.7uF

Capacitor C2 = 1.0uF

Capacitor C3 = 3.3uF

Capacitor C4 = 6.2uF

Resistor R1 = 4.7 Ohms 10W

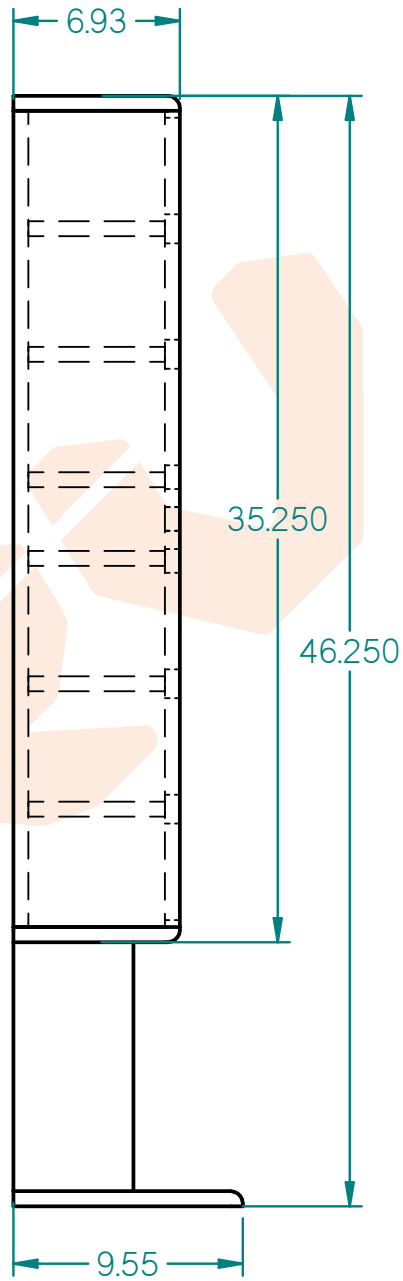
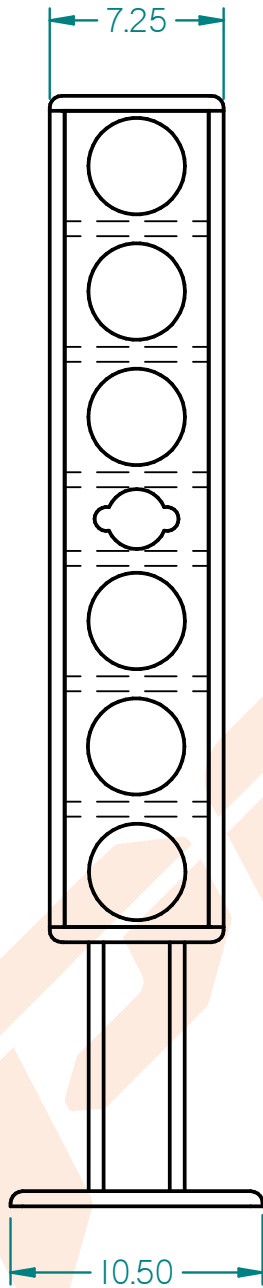
Resistor R2 = 1.1 Ohms 10W

## Remarks:

Due the fabrication tolerance of the crossover components, the polarity of the connection of the tweeter must be tested on direct and inverse connection in order to find out the best response, without any frequency cancelation on the xover point

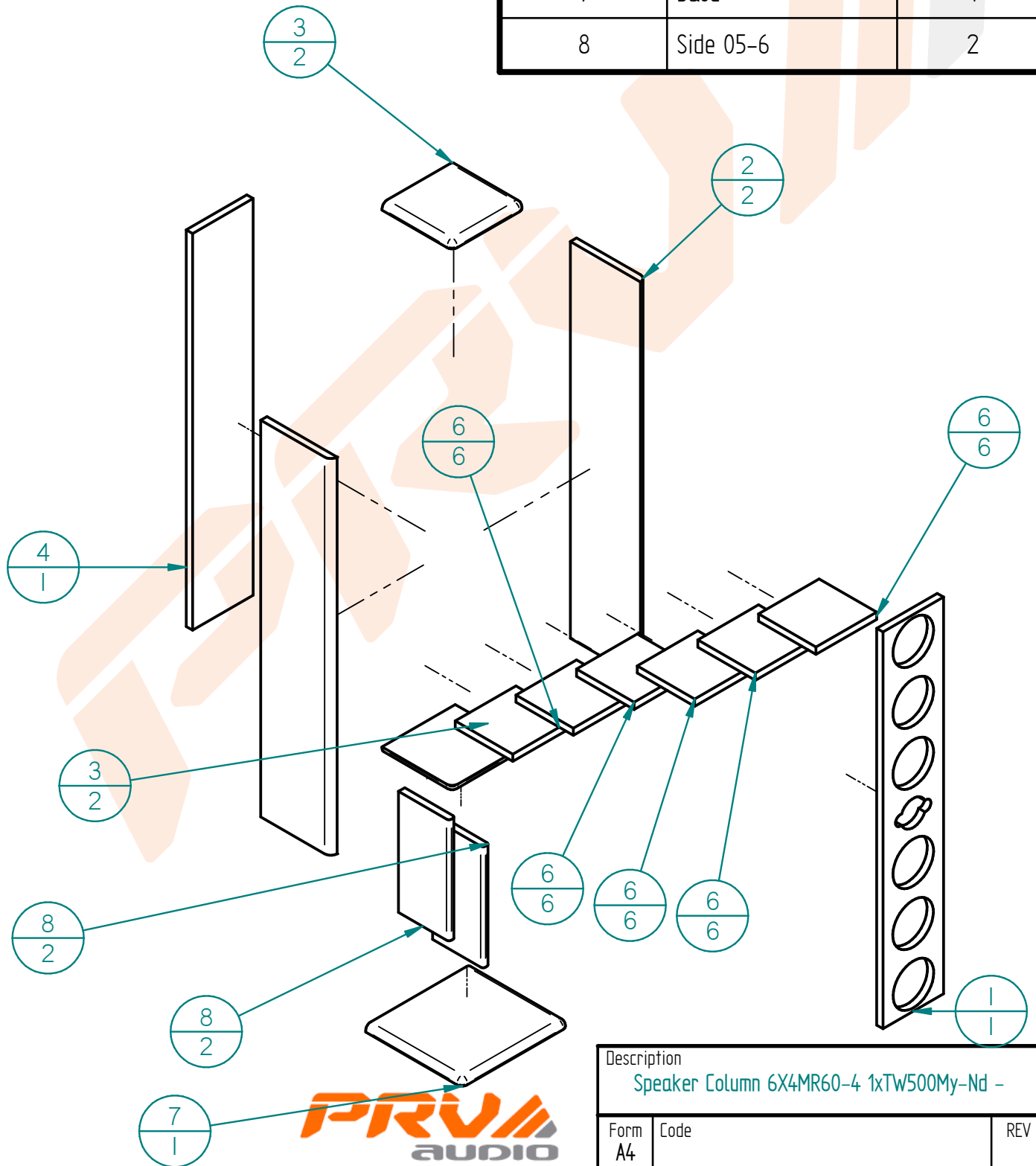


Description		
Speaker Column 6X4MR60-4 1xTW500My-Nd -		
Form	Code	REV
A4		
Arquivo: Column 6 x 4MR60-4 - 1 x TW500My.dft		



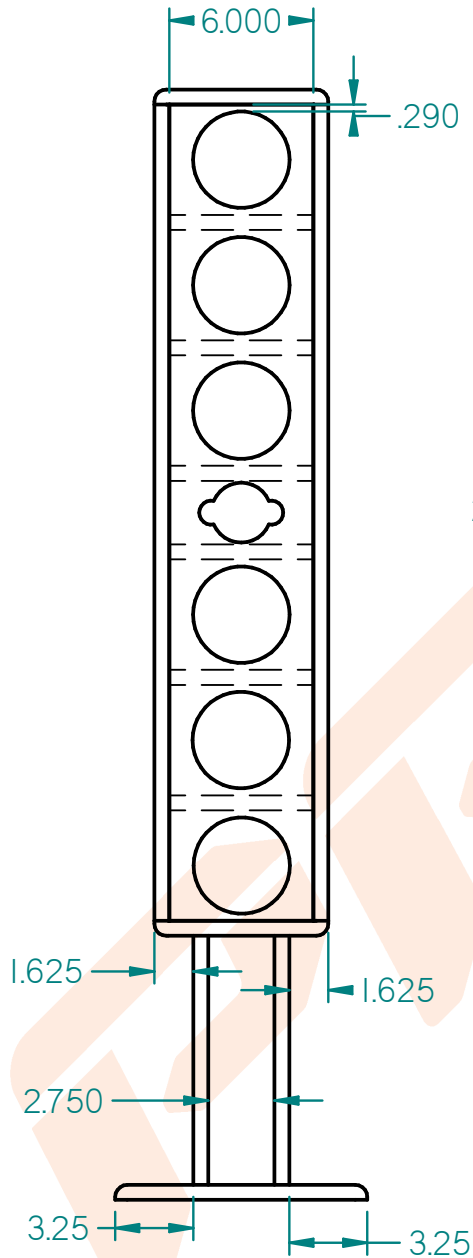
Description		
Speaker Column 6X4MR60-4 1xTW500My-Nd -		
Form	Code	REV
A4		
Arquivo: Column 6 x 4MR60-4 - 1 x Tw500My.dft		

Item Number	Part Name	Quantity
1	Baffle 6 speaker	1
2	Side 01-6	2
3	Side 02-6	2
4	Side 03-6	1
6	side 04-6	6
7	Base	1
8	Side 05-6	2

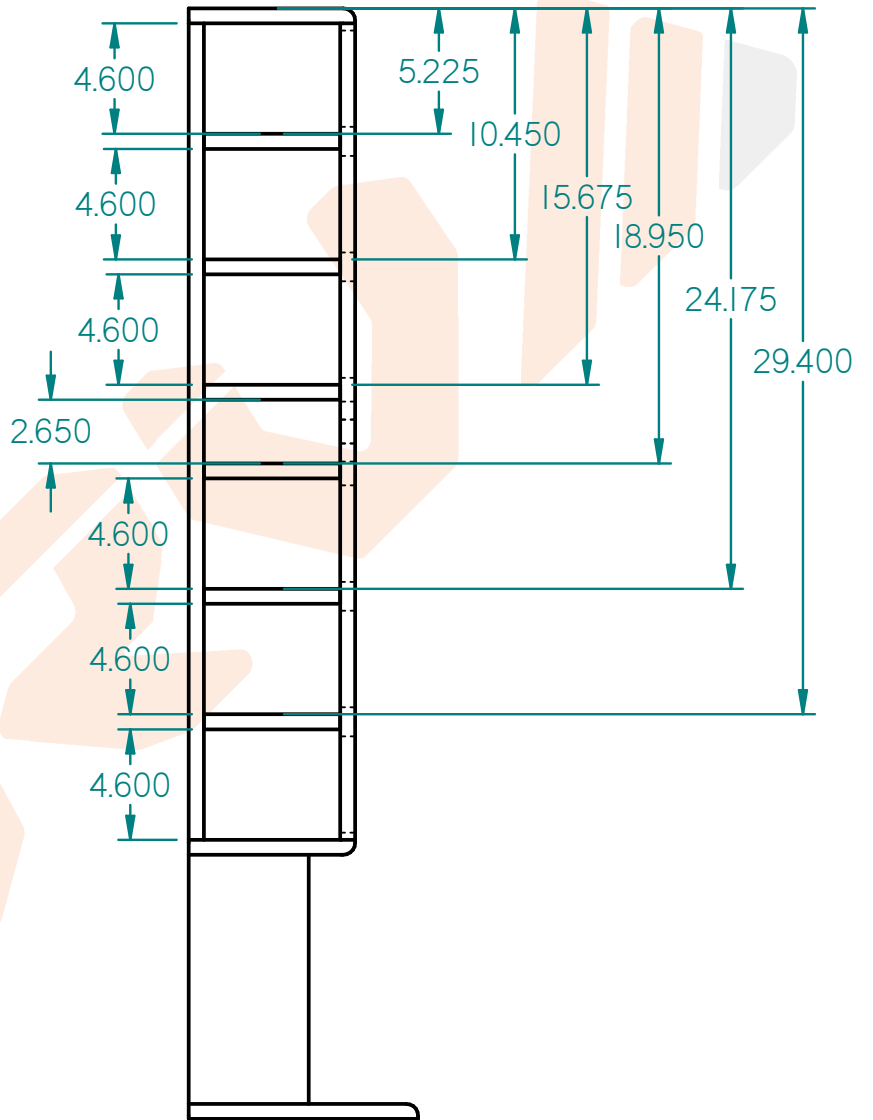


Description Speaker Column 6X4MR60-4 1xTW500My-Nd -		
Form A4	Code	REV
Arquivo: Column 6 x 4MR60-4 - 1 x Tw500My.dft		

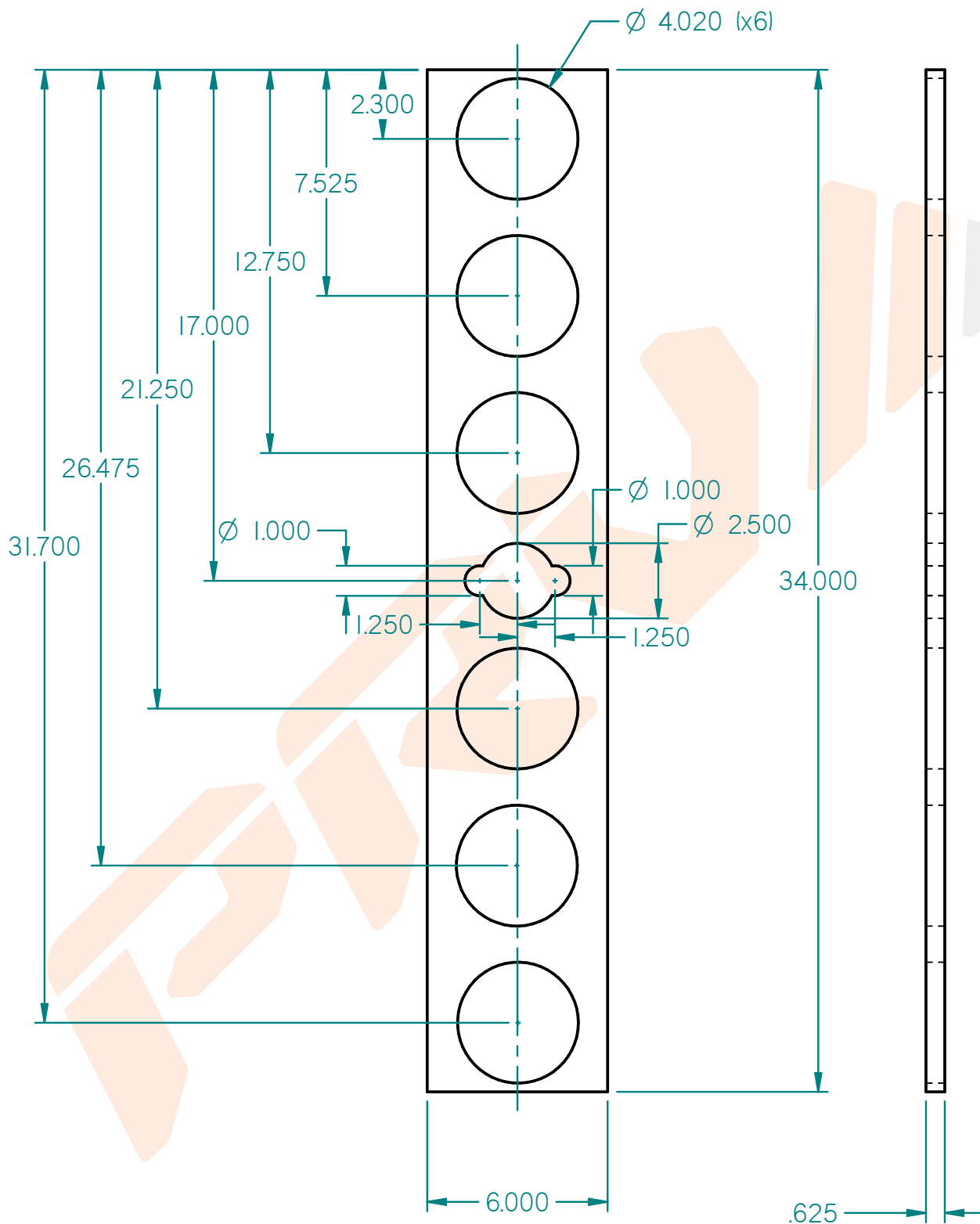
Support position



Internal division positions



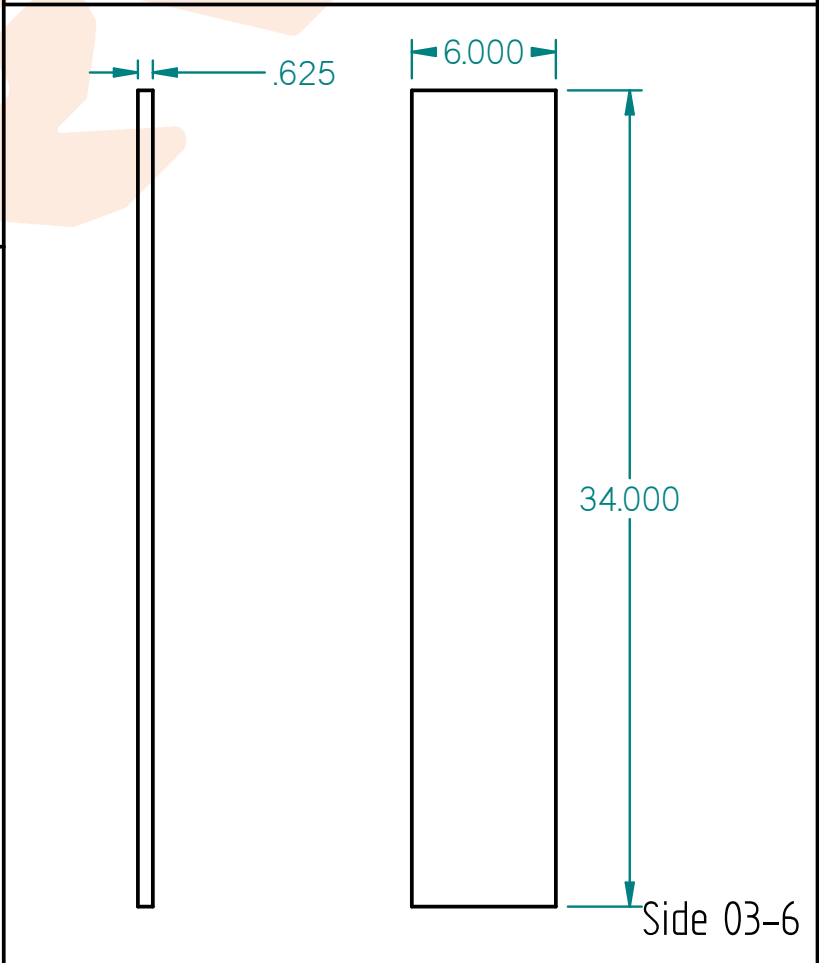
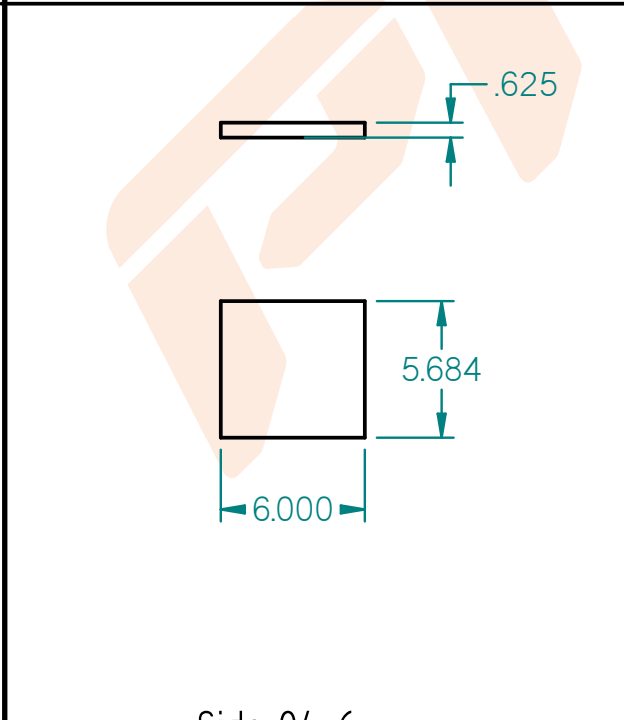
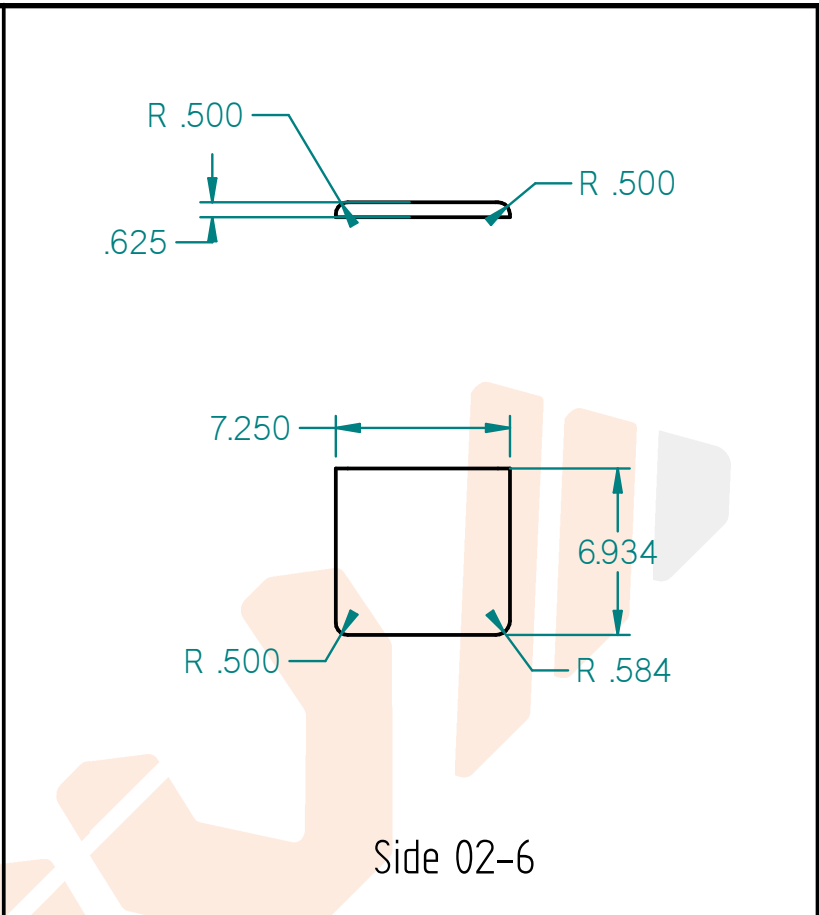
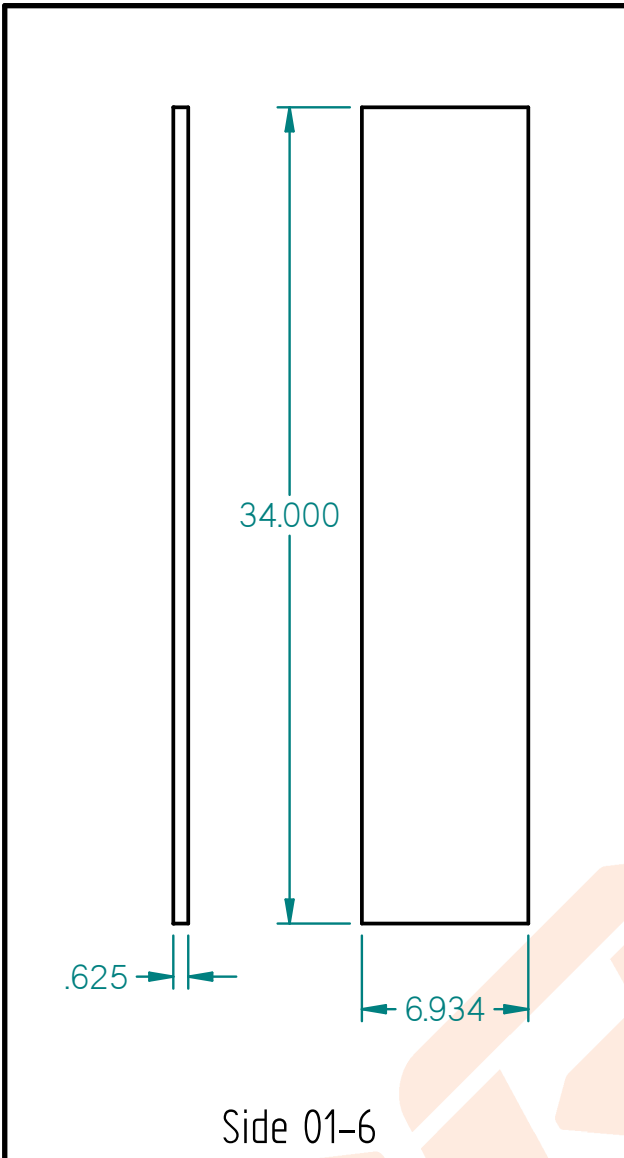
Description Speaker Column 6X4MR60-4 1xTW500My-Nd -		
Form A4	Code	REV
Arquivo: Column 6 x 4MR60-4 - 1 x Tw500My.dft		



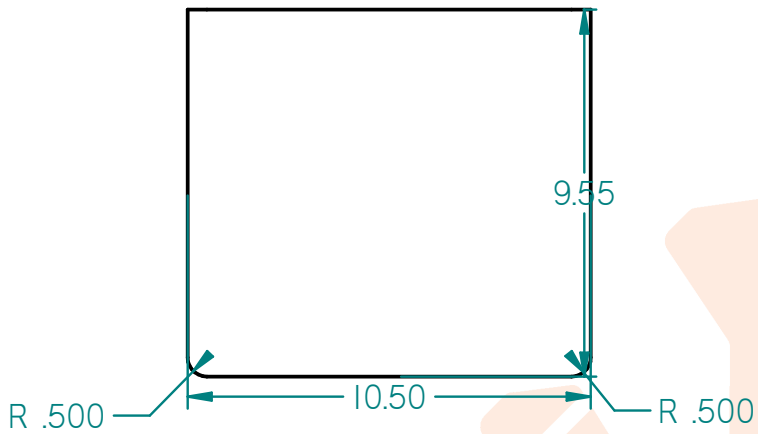
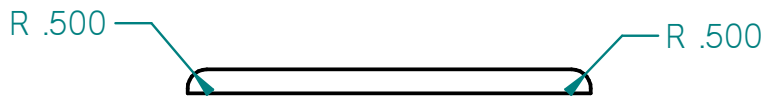
Baffle 6 speaker



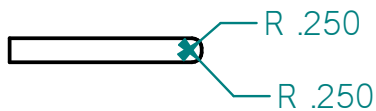
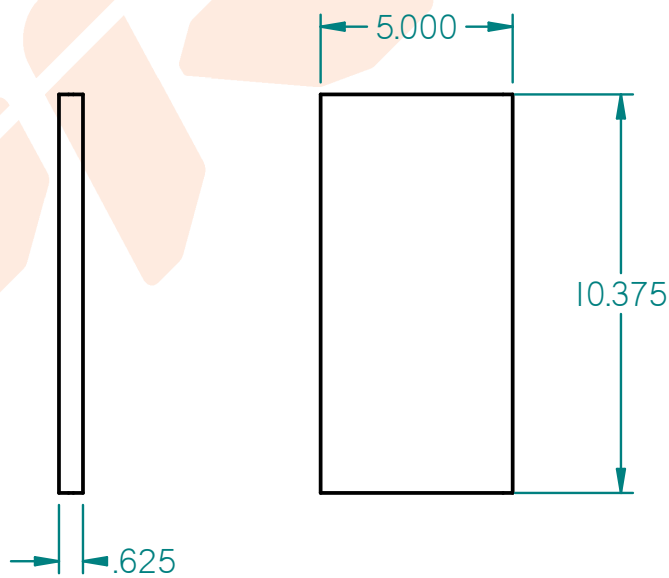
Description		
Speaker Column 6X4MR60-4 1xTW500My-Nd -		
Form	Code	REV
A4		
Arquivo: Column 6 x 4MR60-4 - 1 x Tw500My.dft		



Description Speaker Column 6X4MR60-4 1xTW500My-Nd -		
Form A4	Code	REV
Arquivo: Column 6 x 4MR60-4 - 1 x Tw500My.dft		



Base



Side 05-6



Description Speaker Column 6X4MR60-4 1xTW500My-Nd -		
Form A4	Code	REV
Arquivo: Column 6 x 4MR60-4 - 1 x Tw500My.dft		