

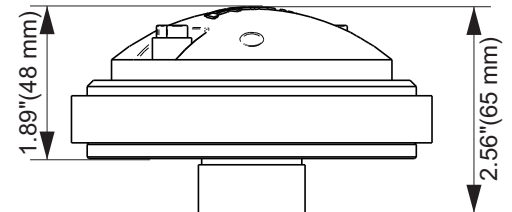
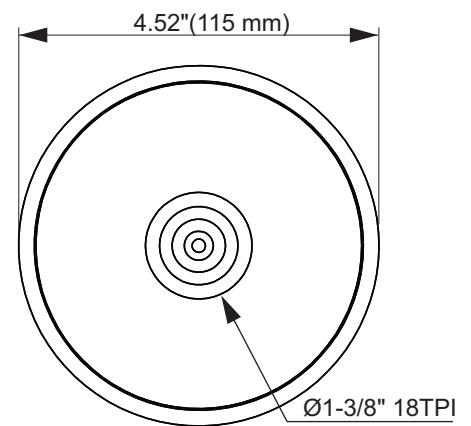
D280TI-S

Professional Compression Driver



KEY FEATURES

- 1.75" Voice coil
- 80 Watts continuous power handling
- 109 dB Sensitivity
- High grade Titanium Diaphragm



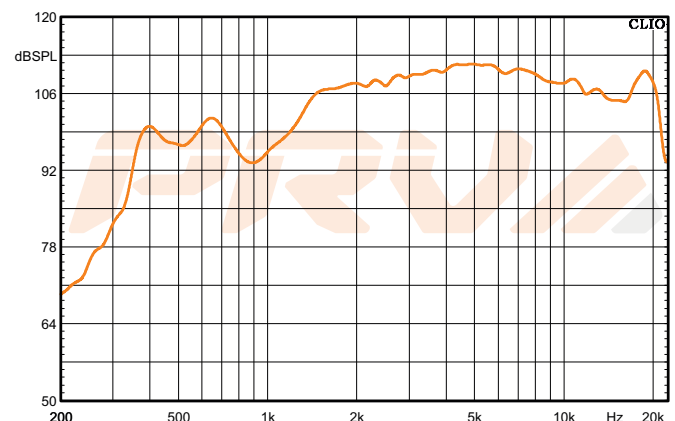
GENERAL SPECIFICATIONS

Exit Throat Diameter	1" (25.4mm)
Nominal Impedance	8 Ohms
Rated Power Handling	80 Watts
Program Power	160 Watts
Sensitivity 2.83V at 1m*	109 dB
Recommended High Pass Crossover**	1800Hz***
for Full Power Handling	*12 db/oct Crossover
Frequency Response at -10dB	1,300-20,000Hz
Voice Coil Diameter	1.75" (44.4 mm)
Voice Coil Wire	CCAW
Voice Coil Former Material	Kapton®
Diaphragm Material	Titanium
Flux Density	1.65 T
Magnet Material	Ferrite

EXTRA INFO

Overall Diameter	4.52" (115 mm)
Overall Depth	2.56" (65 mm)
Mounting Thread	1 3/8" 18 TPI
Net Weight	3.31 lbs (1.5 kg)
Shipping Weight	3.52 lbs (1.59 kg)
Carton Dimensions W x L x H	5.31" x 5.0" x 2.91" (135 x 127 x 74 mm)

Frequency Response Measured at 2.83v/1m



*Frequency Response Measured on WG14-25

PRV AUDIO USA (USA and Export) PRV AUDIO BRAZIL (Brazilian Sales Only)
FORT LAUDERDALE, FL SAO LEOPOLDO, RS
support@prvaudio.com vendas@pvaudio.com.br
www.prvaudio.com www.pvaudio.com.br