

TW350Ti

Professional Super Tweeter



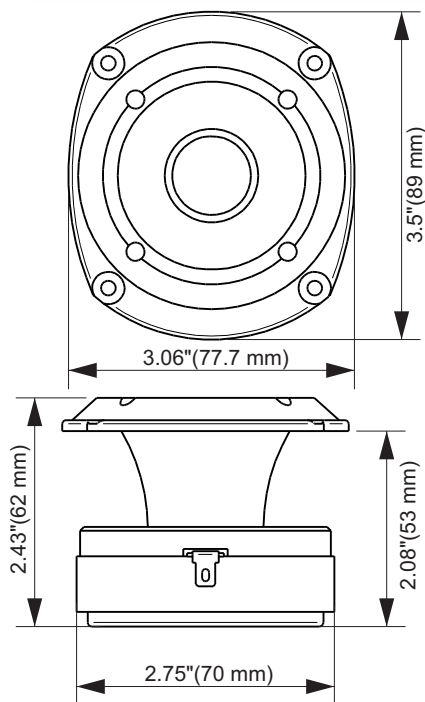
KEY FEATURES

- 1" Voice coil
- 60 Watts continuous power handling
- 105 dB Sensitivity
- High grade Titanium Diaphragm



GENERAL SPECIFICATIONS

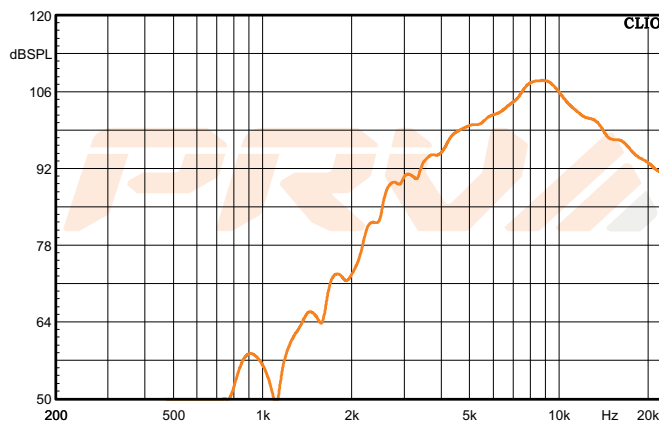
Nominal Impedance	8 Ohms
Rated Power Handling	60 Watts
Program Power	120 Watts
Sensitivity 2.83V at 1m*	105 dB
Recommended High Pass Crossover**	5000 Hz***
for Full Power Handling	*12db/oct Crossover
Frequency Response at -10dB	3,500-20,000Hz
Voice Coil Diameter	1" (25 mm)
Voice Coil Wire	Copper
Voice Coil Former Material	Kapton®
Diaphragm Material	Titanium
Flux Density	1.70 T
Magnet Material	Ferrite



EXTRA INFO

Overall depth	2.43" (62 mm)
Mounting Depth	2.08" (53 mm)
Overall Width	3.06" (77.7 mm)
Overall Height	3.5" (89 mm)
Cutout Diameter	2.75" (70 mm)
Net Weight	1.37 lbs (0.62 kg)
Shipping Weight	1.47 lbs (0.67 kg)
Carton Dimensions W x L x H	3.86" x 3.42" x 2.75" (98 x 87 x 70 mm)

Frequency Response Measured at 2.83v/1m



PRV AUDIO USA (USA and Export) PRV AUDIO BRAZIL (Brazilian Sales Only)
 FORT LAUDERDALE, FL SAO LEOPOLDO, RS
 support@prvaudio.com vendas@pvaudio.com.br
 www.prvaudio.com www.pvaudio.com.br