

WG280Ti

Professional Compression Driver



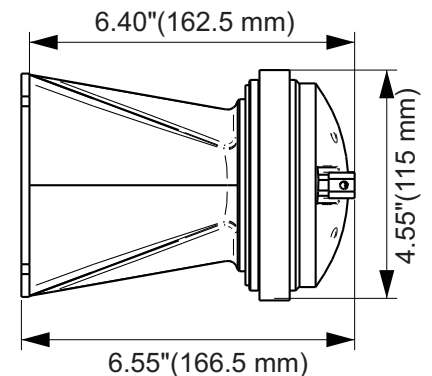
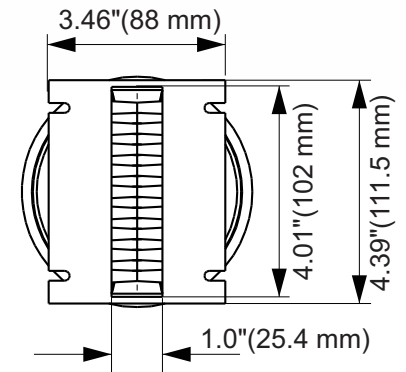
KEY FEATURES

- 1.75" Voice coil
- 80 Watts continuous power handling
- 104 dB Sensitivity
- Line array source
- 140° Horizontal coverage
- Aluminum Wave Guide



GENERAL SPECIFICATIONS

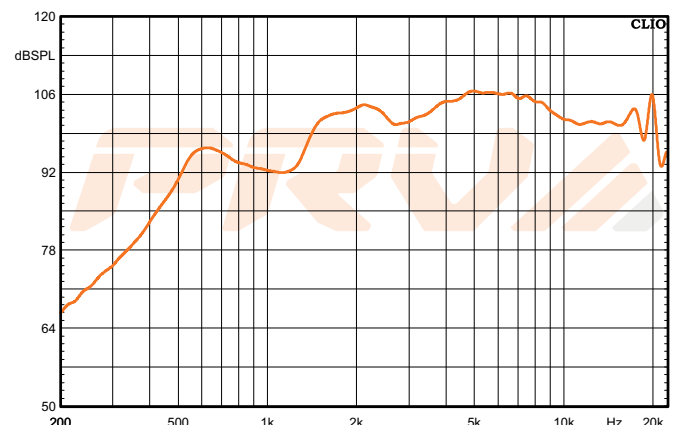
Exit Throat Diameter	1" (25.4 mm)
Nominal Impedance	8 Ohms
Rated Power Handling	80 Watts
Program Power	160 Watts
Sensitivity 2.83V at 1m*	104 dB
Recommended High Pass Crossover**	1800 Hz***
for Full Power Handling	*12 db/oct Crossover
Frequency Response at -10dB	1,200-20,000Hz
Voice Coil Diameter	1.75"(44.4 mm)
Voice Coil Wire	CCAW
Voice Coil Former Material	Kapton®
Diaphragm Material	Titanium
Flux Density	1.65 T
Magnet Material	Ferrite



EXTRA INFO

Overall Depth	6.55" (166.5 mm)
Mounting Depth	6.40" (162.5 mm)
Overall Width	3.46" (88 mm)
Overall Height	4.55" (115 mm)
Baffle Cutout	4.01" (102 mm)
	1.00" (25.4 mm)
Net Weight	4.18 lbs (1.9 kg)
Shipping Weight	4.41 lbs (2.0 kg)
Carton Dimensions W x L x H	4.72" x 4.72" x 6.89" (120 x 120 x 175 mm)

Frequency Response Measured at 2.83v/1m



PRV AUDIO USA (USA and Export) PRV AUDIO BRAZIL (Brazilian Sales Only)
 FORT LAUDERDALE, FL SAO LEOPOLDO, RS
 support@prvaudio.com vendas@pvaudio.com.br
 www.prvaudio.com www.pvaudio.com.br