

10MR1003-NDY

Professional Mid Range Driver



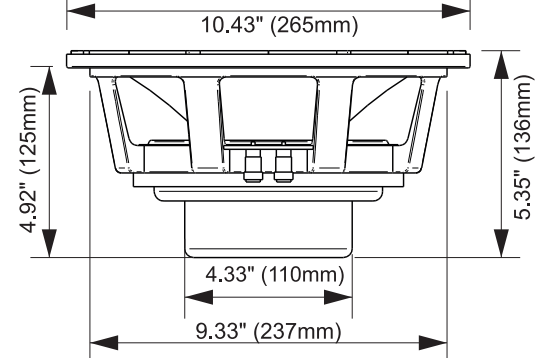
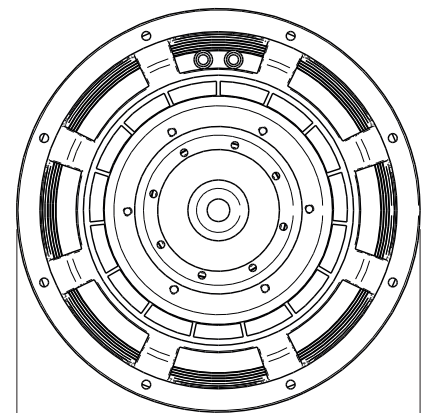
KEY FEATURES

- Large 3" Voice Coil
- 500 Watts continuous power handling
- 99 dB Sensitivity
- 65 - 6,500 Hz
- Lightweight Neodymium magnet



GENERAL SPECIFICATIONS

Nominal Diameter	10" (254 mm)
Nominal impedance	8 ohms
Rated Power Handling	500 Watts
Program Power	1000Watts
Sensitivity 2.83V at 1m	99 dB
Recommended Hi Pass Crossover*	160 Hz*
<small>*For Full Power Handling</small>	<small>*12db Per Octave Crossover</small>
Frequency Response at -10dB	65 - 6,500 Hz
Voice Coil Diameter	3" (75 mm)
Voice Coil Wire	CCAW
Voice Coil Winding Depth	14.0 mm
Former Material	Glass Fiber
Magnetic Gap Depth	6.0 mm
Frame Material	Die cast aluminum



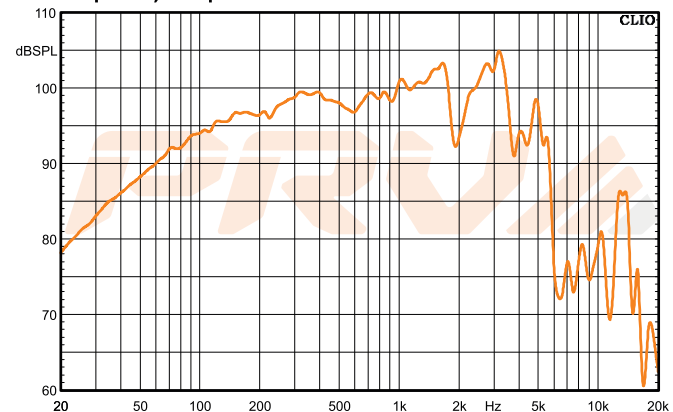
THIELE-SMALL PARAMETERS

Equivalent Volume	Vas	49.87 l
Excursion (mathematical)***	Xmax	5.50 mm
Free Air Resonance	Fs	55.16 Hz
Mechanical Factor	Qms	11.97
Electrical Factor	Qes	0.24
Total Factor	Qts	0.24
Cone Area	Sd	405 cm ²
Mechanical Mass	Mms	38.18 g
Bl Factor	BL	17.58 Tm
Dc Resistance	Re	5.7 Ohms
Inductance	Le	0.76 mH at 1 kHz
Mechanical Mass Without Air	Mmd	33.57 g
Mechanical Compliance	Cms	0.218 mm/N

EXTRA INFO

Overall Diameter	10.43" (265 mm)
Front Mount Baffle Cutout	9.33" (237 mm)
Mounting Depth	4.92" (125 mm)
Overall Depth	5.35" (136 mm)
Net Weight	9.23 Lbs (4.19 kg)
Shipping Weight	10.86 Lbs (4.93 kg)
Carton Dimensions W x L x H	12.6" x 12.6" x 7.8" (320 x 320 x 195mm)

Frequency Response Measured at 2.83V/1m



PRV AUDIO USA (USA and Export) PRV AUDIO BRAZIL (Brazilian Sales Only)
 FORT LAUDERDALE, FL SAO LEOPOLDO, RS
 support@prvaudio.com vendas@pvaudio.com.br
 www.prvaudio.com www.pvaudio.com.br

***Xmax=(Voice coil winding depth-Magnetic Gap depth)/2+ Mgnetic Gap Depth/4