

# 15W2000

Professional Low Frequency Driver



## KEY FEATURES

- 4" Voice coil
- 2000 Watts continuous program power
- 96 dB Sensitivity
- 53 - 2,000 Hz



GENERAL SPECIFICATIONS

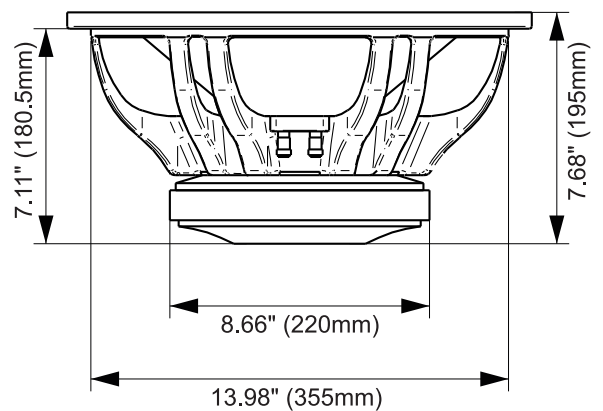
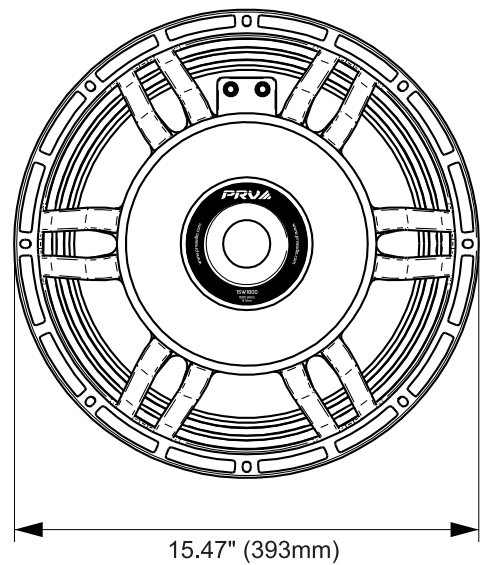
Nominal Diameter	15" (381 mm)
Nominal impedance	8 Ohm
Nominal Power Handling	1000 Watts
<b>Continuous Program Power (RMS)</b>	<b>2000 Watts</b>
Max Peak Power	4000 Watts
<b>Sensitivity 2.83V at 1m</b>	<b>96 dB</b>
Recommended High Pass Filter*	50 Hz*
<small>*For Full Power Handling</small>	<small>*12db Per Octave Crossover</small>
<b>Frequency Response</b>	<b>53 - 2,000 Hz</b>
Voice Coil Diameter	4" (100 mm)
Voice Coil Wire	Copper
Voice Coil Winding Depth	31.0 mm
Former Material	Glass Fiber
Magnetic Gap Depth	12.0 mm
Frame Material	Die cast aluminum

THIELE-SMALL PARAMETERS

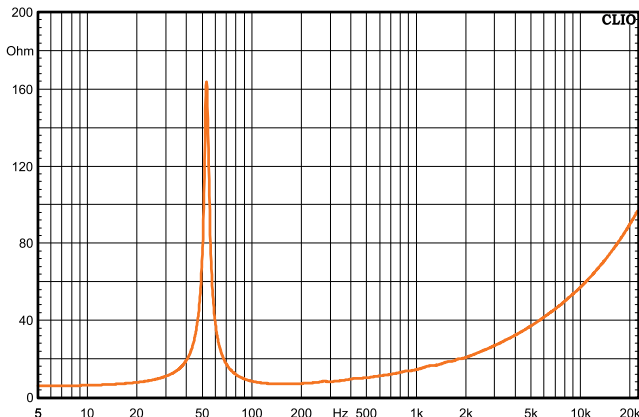
Equivalent Volume	Vas	61.53 l
Excursion (mathematical)***	Xmax	12.50 mm
Free Air Resonance	Fs	52.9 Hz
Mechanical Factor	Qms	16.54
Electrical Factor	Qes	0.57
Total Factor	Qts	0.55
Cone Area	Sd	908 cm <sup>2</sup>
Mechanical Mass	Mms	169.1 g
Bl Factor	Bl	23.19 Tm
Dc Resistance	Re	5.5 Ohm
Inductance	Le	1.51 mH at 1 kHz
Mechanical Mass Without Air	Mmd	153.6 g
Mechanical Compliance	Cms	0.053 mm/N

EXTRA INFO

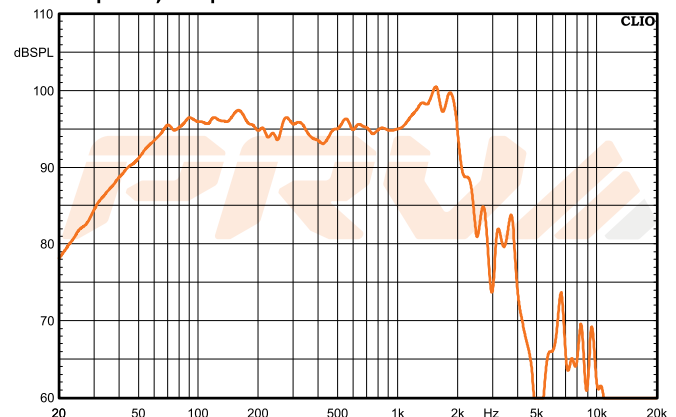
Overall Diameter	15.47" (393 mm)
Front Mount Baffle Cutout	13.98" (355 mm)
Mounting Depth	7.11" (180.5 mm)
Overall Depth	7.68" (195 mm)
Net Weight	25.90 Lbs (11.75 kg)
Shipping Weight	28.66 Lbs (13.0 kg)
Carton Dimensions W x L x H	16.73" x 16.73" x 8.66" (425 x 425 x 220 mm)



Impedance Curve - Free Air



Frequency Response Measured at 2.83V/1m



\*\*\*Xmax=(Voice coil winding depth-Magnetic Gap depth)/2+ Magnetic Gap Depth/4

PRVA AUDIO USA (USA and Export)  
Fort Lauderdale, FL  
support@prvaudio.com  
www.prvaudio.com