

D3220Ph

Professional Compression Driver

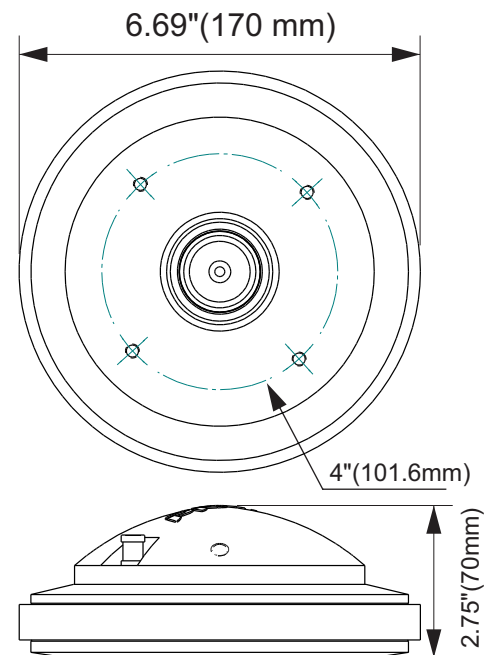


KEY FEATURES

- 3" Voice coil and 2" exit
- 110 Watts continuous power handling
- 109 dB Sensitivity
- Phenolic Diaphragm

GENERAL SPECIFICATIONS

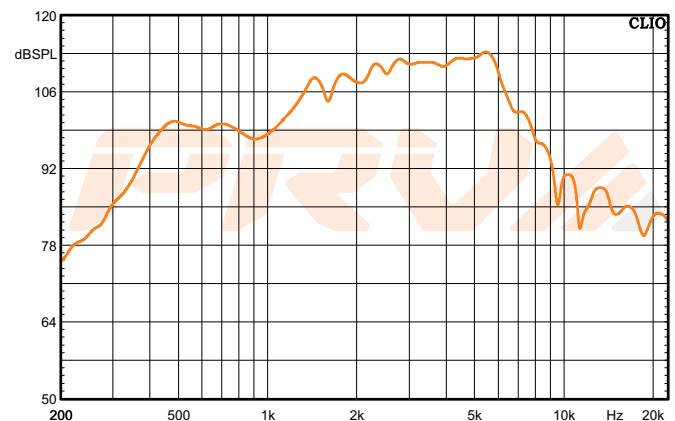
Exit Throat Diameter	2" (50 mm)
Nominal Impedance	8 Ohms
Rated Power Handling	110 Watts
Program Power	220 Watts
Sensitivity 2.83V at 1m*	109 dB
Recommended High Pass Crossover**	800 Hz***
for Full Power Handling	*12 db/oct Crossover
Frequency Response at -10dB	650-7,500Hz
Voice Coil Diameter	3"(76.2 mm)
Voice Coil Wire	Copper
Voice Coil Former Material	Kapton®
Diaphragm Material	Phenolic resin
Flux Density	1.80 T
Magnet Material	Ferrite



EXTRA INFO

Overall Diameter	6.69" (170 mm)
Overall Depth	2.75" (70 mm)
Mounting Bolt Circle	M6 x 4" (101.6 mm)
Net Weight	9.72 lbs (4.41 kg)
Shipping Weight	10.14 lbs (4.60 kg)
Carton Dimensions W x L x H	7.67" x 7.67" x 3.94" (195 x 195 x 100 mm)

Frequency Response Measured at 2.83V/1m



*Frequency Response Measured on WG14-50CR

PRV AUDIO USA (USA and Export) PRV AUDIO BRAZIL (Brazilian Sales Only)
 FORT LAUDERDALE, FL SAO LEOPOLDO, RS
 support@prvaudio.com vendas@pvaudio.com.br
 www.prvaudio.com www.pvaudio.com.br