

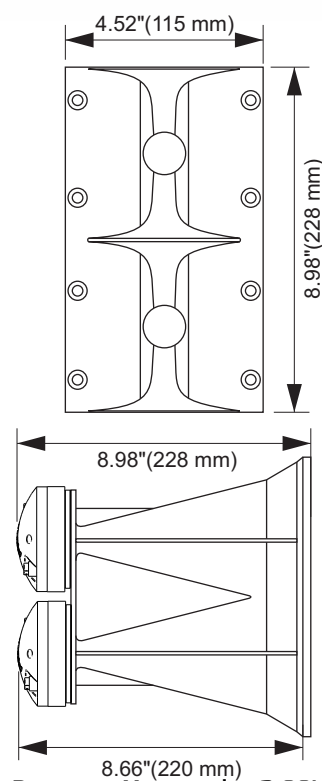
WG2-230Ti

Professional Line Array Compression Driver



KEY FEATURES

- 2 D230Ti-B drivers
- 60 Watts continuous power handling (total)
- 107 dB Sensitivity
- High grade Titanium Diaphragm
- Complete solution for high frequencies on line arrays



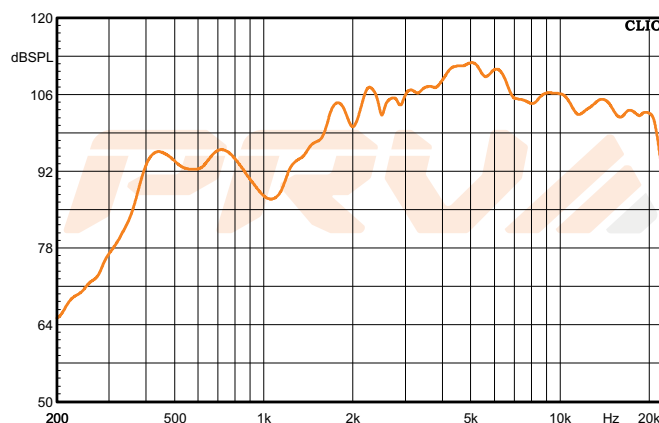
GENERAL SPECIFICATIONS

Exit Throat Diameter	1" (25.4mm)
Nominal Impedance	8 Ohms (each driver)
Rated Power Handling	30 Watts (each driver)
Program Power	60 Watts (each driver)
Sensitivity 2.00V at 1m*	107 dB
Recommended High Pass Crossover ^{**}	2000 Hz ^{***}
<small>**for Full Power Handling</small>	<small>***12db/oct Crossover</small>
Frequency Response at -10dB	1,600-20,000Hz
Voice Coil Diameter	1.4"(35.5 mm)
Voice Coil Wire	Copper
Voice Coil Former Material	Kapton®
Diaphragm Material	Titanium
Flux Density	1.65 T
Magnet Material	Ferrite

EXTRA INFO

Overall depth	8.98" (228 mm)
Mounting Depth	8.66" (220 mm)
Overall Width	4.52" (115 mm)
Overall Height	8.98" (228 mm)
Net Weight	5.14 lbs (1.65 kg)
Shipping Weight	5.47 lbs (2.48 kg)
Carton Dimensions W x L x H	8.46" x 4.72" x 9.57" (215 x 120 x 243 mm)

Frequency Response Measured at 2.00V/1m



* Parallel connection.

PRV AUDIO USA (USA and Export) PRV AUDIO BRAZIL (Brazilian Sales Only)
 FORT LAUDERDALE, FL SAO LEOPOLDO, RS
 support@prvaudio.com vendas@pvaudio.com.br
 www.prvaudio.com www.pvaudio.com.br