

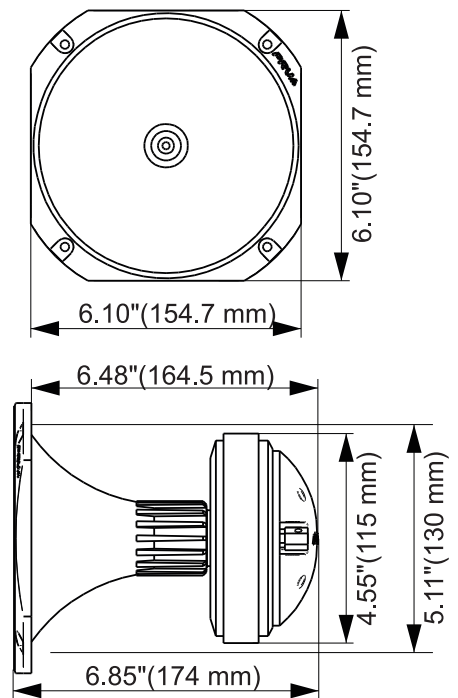
# WG290Py

## Professional Compression Driver



### KEY FEATURES

- 1.75" Voice coil
- 90 Watts continuous power handling
- 109 dB Sensitivity
- WGP14-25 Black-S



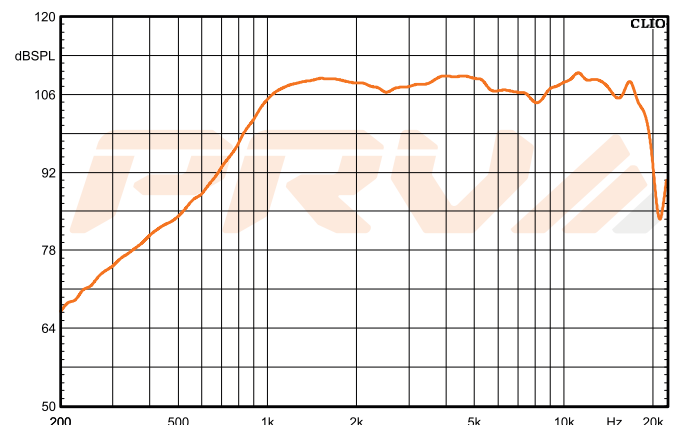
### GENERAL SPECIFICATIONS

Exit Throat Diameter	1" (25.4 mm)
Nominal Impedance	8 Ohms
<b>Rated Power Handling</b>	<b>90 Watts</b>
Program Power	180 Watts
<b>Sensitivity 2.83V at 1m*</b>	<b>109 dB</b>
Recommended High Pass Crossover**	1,000 Hz***
**for Full Power Handling	***12 db/oct Crossover
<b>Frequency Response at -10dB</b>	<b>650 -19,000Hz</b>
Voice Coil Diameter	1.75" (44.4 mm)
Voice Coil Wire	Copper
Voice Coil Former Material	Kapton®
Diaphragm Material	Polyimide
Flux Density	1.85 T
Magnet Material	Ferrite

### EXTRA INFO

Overall Depth	6.85" (174 mm)
Mounting Depth	6.48" (164.5 mm)
Overall Width	6.10" (154.7 mm)
Overall Height	6.10" (154.7 mm)
Baffle Cutout Diameter	5.11" (130 mm)
Net Weight	2.86 lbs (1.3 kg)
Shipping Weight	3.24 lbs (1.47 kg)
Carton Dimensions W x L x H	7.08" x 6.69" x 7.08" (180 x 170 x 180 mm)

Frequency Response Measured at 2.83v/1m



PRV AUDIO USA (USA and Export) PRV AUDIO BRAZIL (Brazilian Sales Only)  
 FORT LAUDERDALE, FL SAO LEOPOLDO, RS  
 support@prvaudio.com vendas@pvaudio.com.br  
 www.prvaudio.com www.pvaudio.com.br