

WG45-50

Professional Audio Waveguide



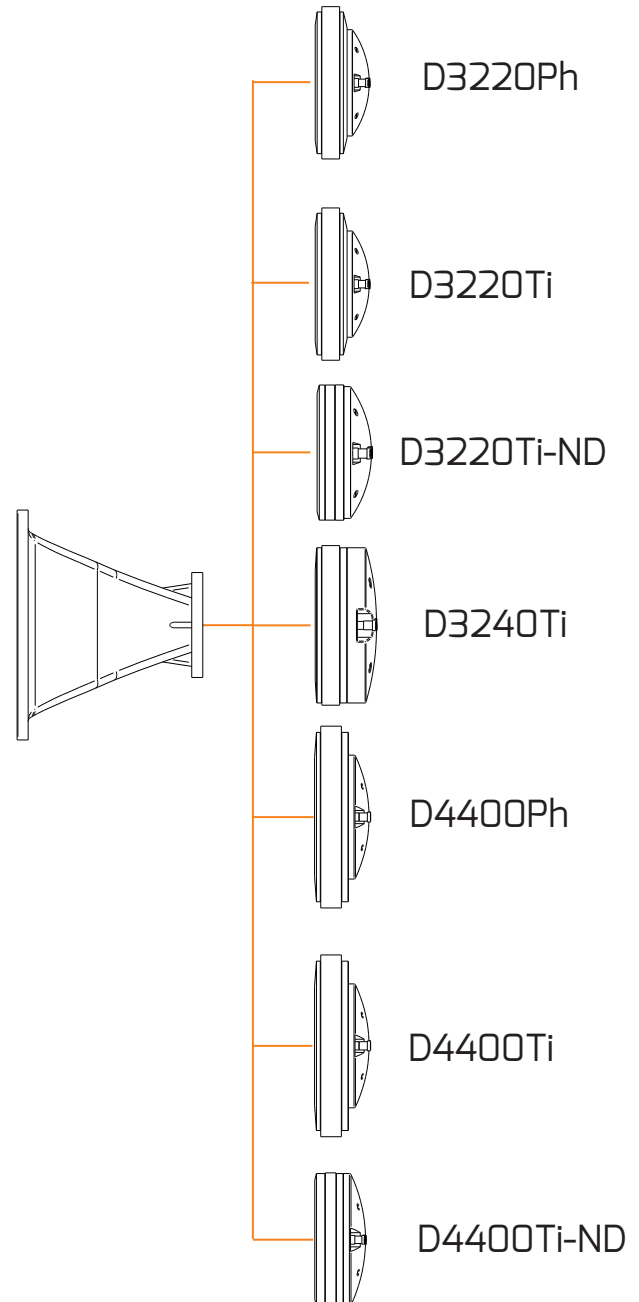
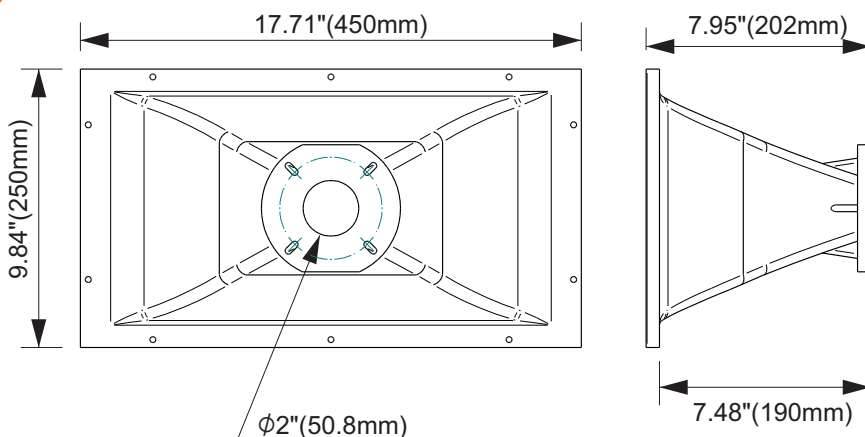
KEY FEATURES

- 2" Throat
- Bolt-on
- Light weight
- 90°x40° Nominal Coverage



Throat Diameter	2" (50.8mm)
Mounting Type	Bolt On
Slot dimensions	ϕ 0.24"x 0.31" ϕ 6 x 8mm
Bolt circle	3.62" to 4.25" 92 to 108mm
Nominal Coverage	
Horizontal	90°
Vertical	40°
Flare type	Exponential
Material	Plastic (ABS)
Finish / Coating	Black
Dimensions	
Height	9.84" (250mm)
Width	17.71" (450mm)
Depth	7.95" (202mm)
Mount Depth	7.48" (190mm)
Baffle Cutout	
Width	15.75" (400mm)
Height	8.46" (215mm)
Net weight	3.63lb (1.69 kg)

GENERAL SPECIFICATIONS



Note: Large drivers may require additional structural support to prevent damage to the horn.

PRV AUDIO USA (USA and Export) PRV AUDIO BRAZIL (Brazilian Sales Only)
FORT LAUDERDALE, FL SAO LEOPOLDO, RS
support@prvaudio.com vendas@pvaudio.com.br
www.prvaudio.com www.pvaudio.com.br