

WGP14-25

Professional Audio Waveguide



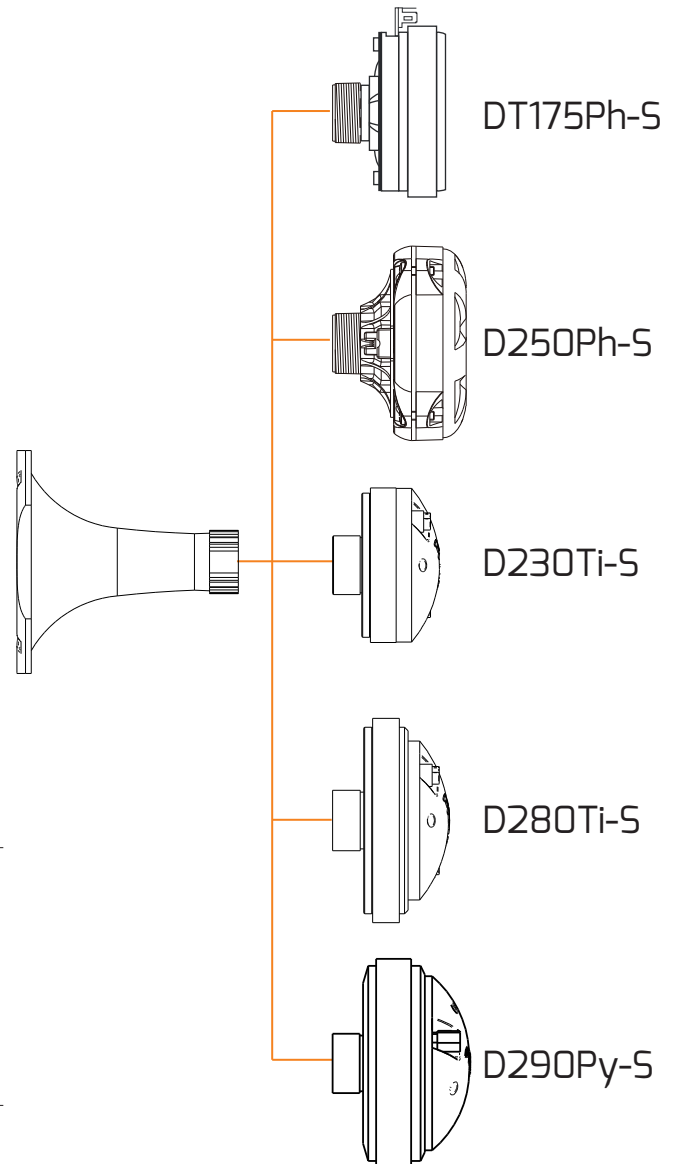
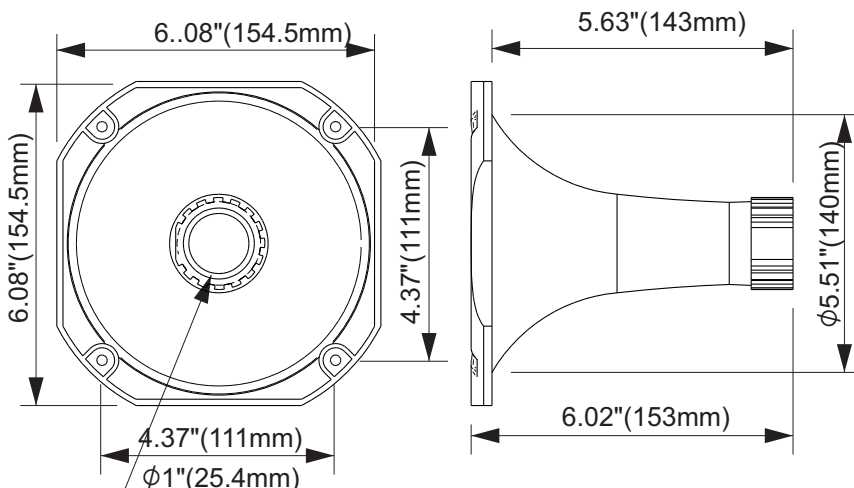
KEY FEATURES

- 1.0" Throat
- Screw-on
- Several Colors
- 45°x45° Nominal Coverage



GENERAL SPECIFICATIONS

Throat Diameter	1.0" (25.4mm)
Mounting Type	Screw-on
Thread dimensions	1-3/8"
Nominal Coverage	
Horizontal	45°
Vertical	45°
Flare type	Exponential
Material	Plastic (ABS)
Finish / Coating	Colored
Dimensions	
Height	6.08" (154.5mm)
Width	6.08" (154.5mm)
Depth	6.02" (153mm)
Mount Depth	5.62" (143mm)
Baffle Cutout	
Diameter	5.51" (140mm)
Net weight	0.24lb (0.11kg)



PRV AUDIO USA (USA and Export) PRV AUDIO BRAZIL (Brazilian Sales Only)
FORT LAUDERDALE, FL SAO LEOPOLDO, RS
support@prvaudio.com vendas@pvaudio.com.br
www.prvaudio.com www.pvaudio.com.br