

# WGP26-50

Professional Audio Waveguide



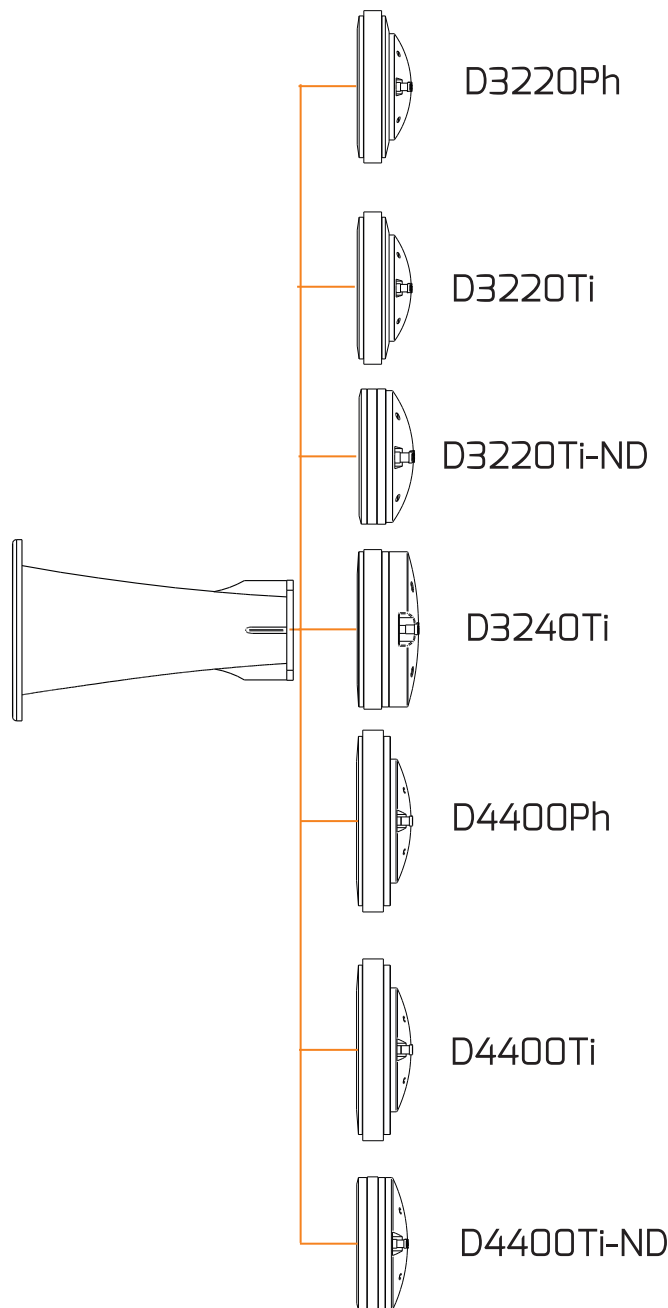
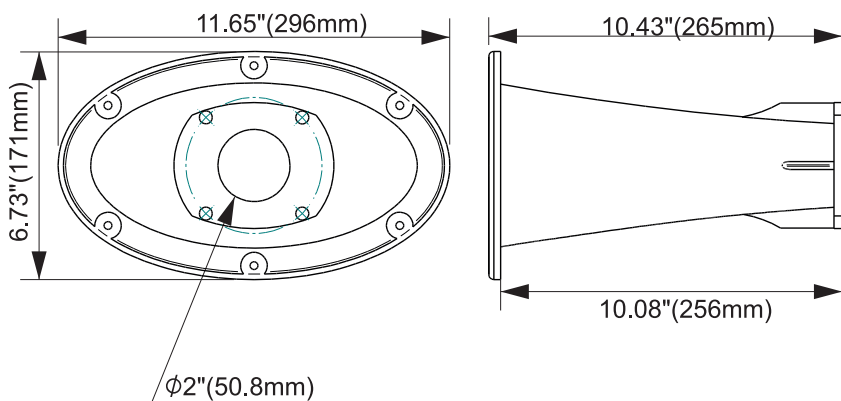
## KEY FEATURES

- 2" Throat
- Bolt-on
- Finish / Coating: Black, Chrome and White
- 50°x25° Nominal Coverage



## GENERAL SPECIFICATIONS

Throat Diameter	2" (50.8mm)
Mounting Type	Bolt On
Hole dimensions	Ø 0.38" Ø 9.8 mm
Bolt circle	4" 101.6mm
<b>Nominal Coverage</b>	
Horizontal	50°
Vertical	25°
Flare type	Exponential
Material	Plastic (ABS)
Finish / Coating	Black; Chrome; White
<b>Dimensions</b>	
Height	6.73" (171mm)
Width	11.65" (296mm)
Depth	10.43" (265mm)
Mount Depth	10.08" (256mm)
<b>Baffle Cutout (ellipse shaped)</b>	
Width	9.44" (240mm)
Height	4.92" (125mm)
Net weight	0.95lb (0.43 kg)



PRV AUDIO USA (USA and Export) PRV AUDIO BRAZIL (Brazilian Sales Only)  
FORT LAUDERDALE, FL SAO LEOPOLDO, RS  
support@prvaudio.com vendas@pvaudio.com.br  
www.prvaudio.com www.pvaudio.com.br