

D4400Ph-Nd

Professional Compression Driver

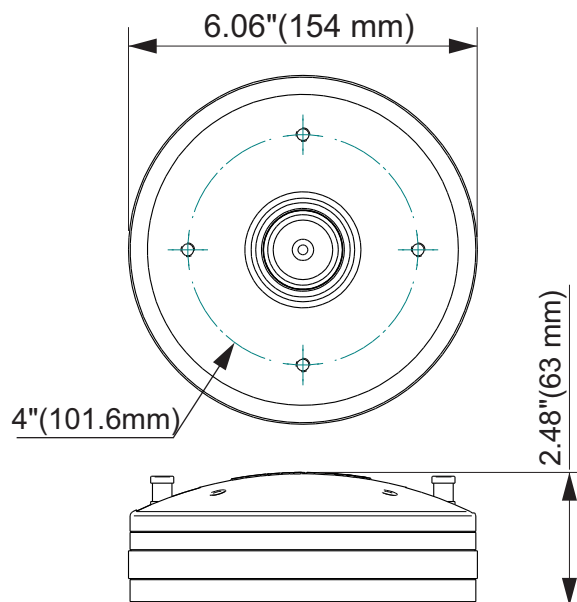


KEY FEATURES

- 4" Voice coil and 2" exit
- 200 Watts continuous power handling
- 109 dB Sensitivity
- Phenolic Diaphragm
- Lightweight Neodymium Magnet



Exit Throat Diameter	2" (50 mm)
Nominal Impedance	8 Ohms
Rated Power Handling	200 Watts
Program Power	400 Watts
Sensitivity 2.83 V at 1m*	109 dB
Recommended High Pass Crossover**	700 Hz***
<small>**for Full Power Handling</small>	<small>***12 db/oct Crossover</small>
Frequency Response at -10dB	450-7,500Hz
Voice Coil Diameter	4" (101.6 mm)
Voice Coil Wire	CCAW
Voice Coil Former Material	Kapton®
Diaphragm Material	Titanium
Flux Density	1.90 T
Magnet Material	Neodymium

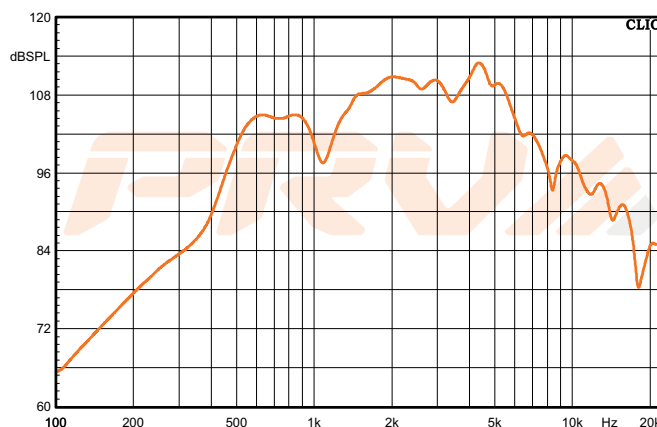


GENERAL SPECIFICATIONS

Overall Diameter	6.06" (154 mm)
Overall Depth	2.48" (63 mm)
Mounting Bolt Circle	M6x4 4" (101.6 mm)
Net Weight	8.82 lbs (4.00 kg)
Shipping Weight	9.77 lbs (4.43 kg)
Carton Dimensions W x L x H	6.89" x 6.89" x 3.74" (175 x 175 x 95 mm)

EXTRA INFO

Frequency Response Measured at 2.83V/1m



*Frequency Response Measured on WG14-50CR

PRV AUDIO USA (USA and Export) PRV AUDIO BRAZIL (Brazilian Sales Only)
FORT LAUDERDALE, FL SAO LEOPOLDO, RS
support@prvaudio.com vendas@pvaudio.com.br
www.prvaudio.com www.pvaudio.com.br