

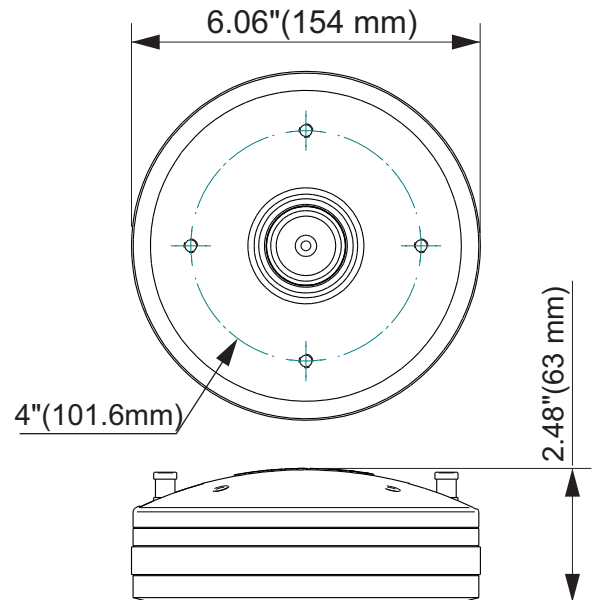
# D4400Ti-Nd

## Professional Compression Driver



### KEY FEATURES

- 4" Voice coil and 2" exit
- 200 Watts continuous power handling
- 110 dB Sensitivity
- High Grade Titanium Diaphragm
- Light Weight Neodymium Magnet



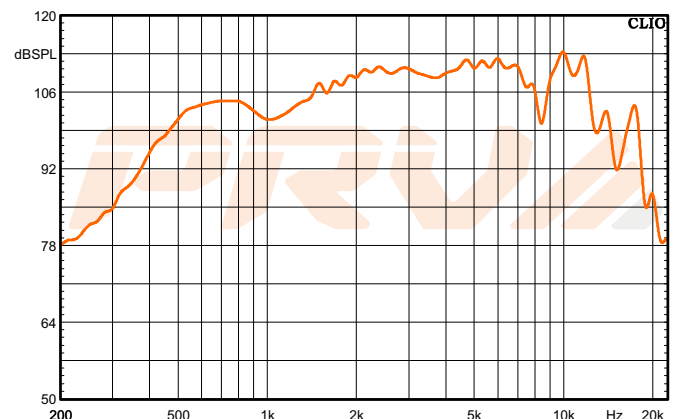
### GENERAL SPECIFICATIONS

Exit Throat Diameter	2" (50 mm)
Nominal Impedance	8 Ohms
<b>Rated Power Handling</b>	<b>200 Watts</b>
Program Power	400 Watts
<b>Sensitivity 2.83 V at 1m*</b>	<b>110 dB</b>
Recommended High Pass Crossover**	1600 Hz***
**for Full Power Handling	***12 db/oct Crossover
<b>Frequency Response at -10dB</b>	<b>1,300-17,000Hz</b>
Voice Coil Diameter	4" (101.6 mm)
Voice Coil Wire	CCAW
Voice Coil Former Material	Kapton®
Diaphragm Material	Titanium
Flux Density	1.90 T
Magnet Material	Neodymium

### EXTRA INFO

Overall Diameter	6.06" (154 mm)
Overall Depth	2.48" (63 mm)
Mounting Bolt Circle	M6x4 4" (101.6 mm)
Net Weight	8.82 lbs (4.00 kg)
Shipping Weight	9.77 lbs (4.43 kg)
Carton Dimensions W x L x H	6.89" x 6.89" x 3.74" (175 x 175 x 95 mm)

Frequency Response Measured at 2.83V/1m



\*Frequency Response Measured on WG14-50CR

PRV AUDIO USA (USA and Export) PRV AUDIO BRAZIL (Brazilian Sales Only)  
 FORT LAUDERDALE, FL SAO LEOPOLDO, RS  
 support@prvaudio.com vendas@pvaudio.com.br  
 www.prvaudio.com www.pvaudio.com.br