

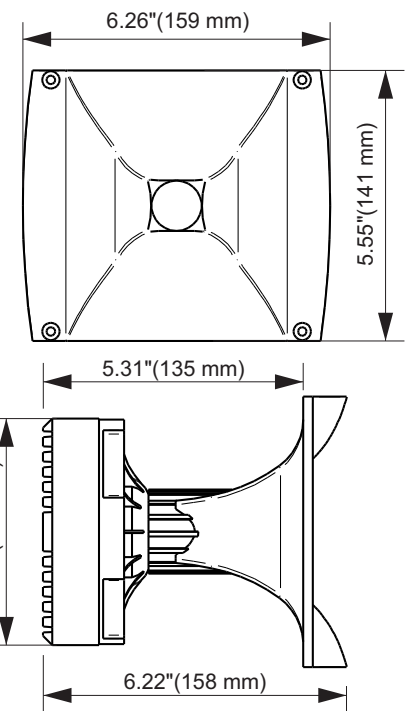
WG275Ph

Professional Compression Driver



KEY FEATURES

- 1" Exit driver and waveguide combo
- 100 Watts continuous power handling
- 106 dB Sensitivity
- Phenolic Diaphragm
- 600 - 7,000Hz



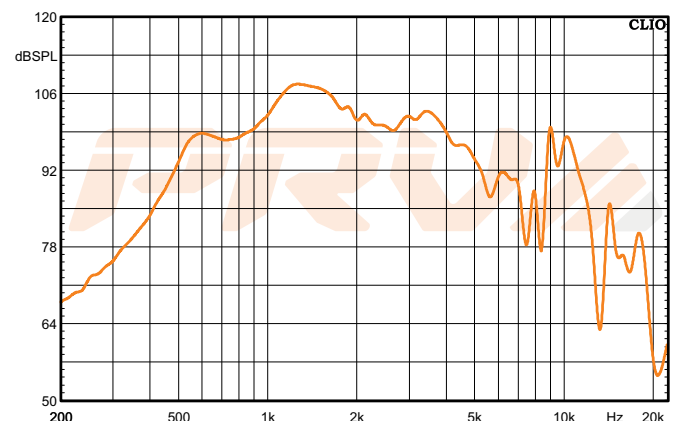
GENERAL SPECIFICATIONS

Exit Throat Diameter	1" (25.4mm)
Nominal Impedance	8 Ohms
Rated Power Handling	100 Watts
Program Power	200 Watts
Sensitivity 2.83V at 1m*	106 dB
Recommended High Pass Crossover**	500 Hz***
<small>**for Full Power Handling</small>	<small>***12 db/oct Crossover</small>
Frequency Response at -10dB	700-7,000Hz
Voice Coil Diameter	2" (51 mm)
Voice Coil Wire	Cooper
Voice Coil Former Material	Kapton®
Diaphragm Material	Phenolic Resin
Flux Density	1.1 T
Magnet Material	Ferrite

EXTRA INFO

Overall depth	6.22" (158 mm)
Mounting Depth	5.31" (135 mm)
Overall Width	6.26" (159 mm)
Overall Height	5.55" (141 mm)
Net Weight	2.27 lbs (1.03 kg)
Shipping Weight	2.47 lbs (1.12 kg)
Carton Dimensions W x L x H	6.30" x 5.70" x 6.40" (160 x 145 x 165 mm)

Frequency Response Measured at 2.83v/1m



*Frequency Response Measured on WG17-25

PRV AUDIO USA (USA and Export) PRV AUDIO BRAZIL (Brazilian Sales Only)
FORT LAUDERDALE, FL SAO LEOPOLDO, RS
support@prvaudio.com vendas@pvaudio.com.br
www.prvaudio.com www.pvaudio.com.br