

8MR500-NDY v2

Professional Mid Range Driver



KEY FEATURES

- 250 Watts continuous power handling
- 96 dB Sensitivity
- 90 - 9,000 Hz of frequency response
- Lightweight neodymium magnet

Nominal Diameter 8" (203 mm)

Nominal impedance 8 Ohms

Rated Power Handling 250 Watts

Program Power 500 Watts

Sensitivity 2.83 V at 1m 96 dB

Recommended Hi Pass Crossover* 140 Hz*

*For Full Power Handling *12db Per Octave Crossover

Frequency Response at -10dB 90 - 9,000 Hz

Voice Coil Diameter 2.0" (51 mm)

Voice Coil Wire CCAW

Voice Coil Winding Depth 12.0 mm

Former Material Kapton

Magnetic Gap Depth 8.0 mm

Frame Material Stamped Steel

Equivalent Volume Vas 18.43 l

Excursion Xmax 4.0 mm

Free Air Resonance Fs 75.96 Hz

Mechanical Factor Qms 5.28

Electrical Factor Qes 0.50

Total Factor Qts 0.46

Cone Area Sd 241 cm²

Mechanical Mass Mms 19.23 g

Bl Factor BL 10.89 Tm

Dc Resistance Re 6.5 Ohms

Inductance Le 0.51 mH at 1 kHz

Mechanical Mass Without Air Mmd 17.12 g

Mechanical Compliance Cms 0.228 mm/N

Overall Diameter 8.11" (206 mm)

Front Mount Baffle Cutout 7.36" (187 mm)

Mounting Depth 3.03" (77 mm)

Overall Depth 3.35" (85 mm)

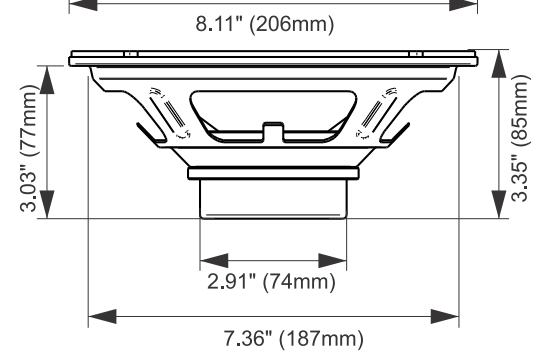
Net Weight 2.42 Lbs (1.1 kg)

Shipping Weight 3.08 Lbs (1.4 kg)

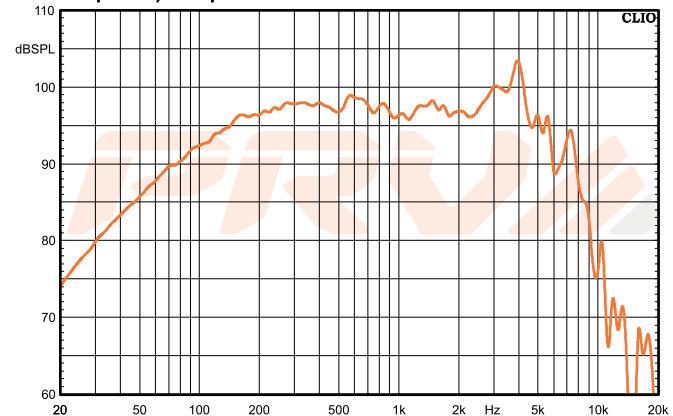
Carton Dimensions W x L x H 9.05" x 9.05" x 5.11" (230 x 230 x 130 mm)

**Xmax=(Voice coil winding depth-Magnetic Gap depth)/2+ Mgnetic Gap Depth/4

*** T-S parameters measured after 2 hours at 1/2 Rated power, pink noise preconditioning test



Frequency Response Measured at 2.83 V/1m



PRV AUDIO USA (USA and Export) PRV AUDIO BRAZIL (Brazilian Sales Only)
 FORT LAUDERDALE, FL SAO LEOPOLDO, RS
 support@prvaudio.com vendas@pvaudio.com.br
 www.prvaudio.com www.pvaudio.com.br

GENERAL SPECIFICATIONS

THIELE-SMALL PARAMETERS

EXTRA INFO