

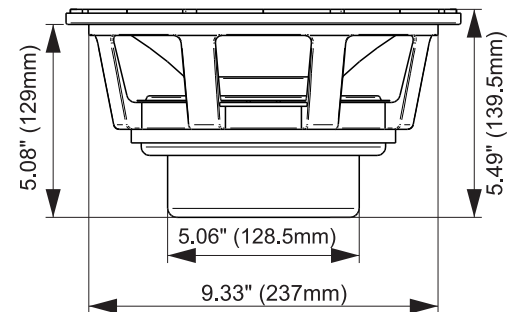
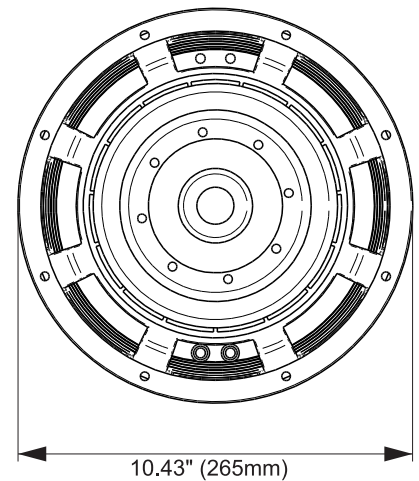
# 10MR2000-NDY

Professional Mid Range Driver



## KEY FEATURES

- Large 4" Voice Coil
- 1000 Watts continuous power handling
- 99 dB Sensitivity
- 90 - 6,500 Hz
- Lightweight Neodymium magnet



GENERAL SPECIFICATIONS

Nominal Diameter	10" (254 mm)
Nominal impedance	8 Ohms
<b>Rated Power Handling</b>	<b>1000 Watts</b>
Program Power	2000 Watts
<b>Sensitivity 2.83V at 1m</b>	<b>99 dB</b>
Recommended Hi Pass Crossover*	160 Hz*
<small>*For Full Power Handling</small>	<small>*12db Per Octave Crossover</small>
<b>Frequency Response</b>	<b>90 - 6,500 Hz</b>
Voice Coil Diameter	4" (101 mm)
Voice Coil Wire	Copper
Voice Coil Winding Depth	18.8 mm
Former Material	Glass Fiber
Magnetic Gap Depth	9.0 mm
Frame Material	Die cast aluminum

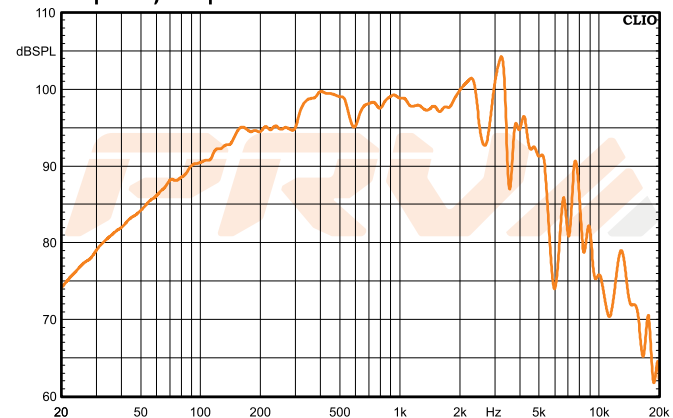
THIELE-SMALL PARAMETERS

Equivalent Volume	Vas	27.98 l
Excursion (mathematical)***	Xmax	7.15 mm
Free Air Resonance	Fs	54.48 Hz
Mechanical Factor	Qms	1.54
Electrical Factor	Qes	0.21
Total Factor	Qts	0.21
Cone Area	Sd	373 cm <sup>2</sup>
Mechanical Mass	Mms	59.33 g
Bl Factor	BL	21.73 Tm
Dc Resistance	Re	5.0 Ohms
Inductance	Le	0.50 mH at 1 kHz
Mechanical Mass Without Air	Mmd	35.96 g
Mechanical Compliance	Cms	0.143 mm/N

EXTRA INFO

Overall Diameter	10.43" (265 mm)
Front Mount Baffle Cutout	9.33" (237 mm)
Mounting Depth	5.08" (129 mm)
Overall Depth	5.49" (139.5 mm)
Net Weight	12.78 Lbs (5.8 kg)
Shipping Weight	14.55 Lbs (6.6 kg)
Carton Dimensions W x L x H	12.6" x 12.6" x 7.8" (320 x 320 x 195mm)

Frequency Response Measured at 2.83V/1m



PRV AUDIO USA (USA and Export) PRV AUDIO BRAZIL (Brazilian Sales Only)  
 POMPANO BEACH, FL SAO LEOPOLDO, RS  
 support@prvaudio.com vendas@pvaudio.com.br  
 www.prvaudio.com www.pvaudio.com.br

\*\*Xmax=(Voice coil winding depth-Magnetic Gap depth)/2+ Mgnetic Gap Depth/4  
 \*\*\* T-S parameters measured after 2 hours at 1/2 Rated power, pink noise preconditioning test