

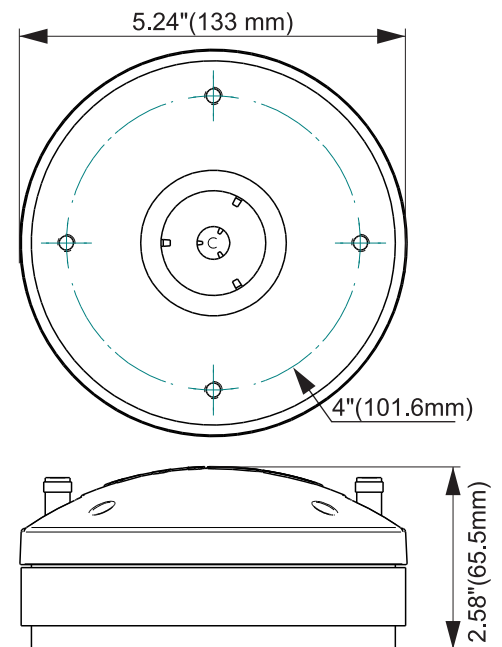
D2200Ph

Professional Compression Driver



KEY FEATURES

- 2" Voice coil and 2" exit
- 100 Watts continuous power handling
- 109 dB Sensitivity
- Phenolic Diaphragm
- 500 - 9,000Hz



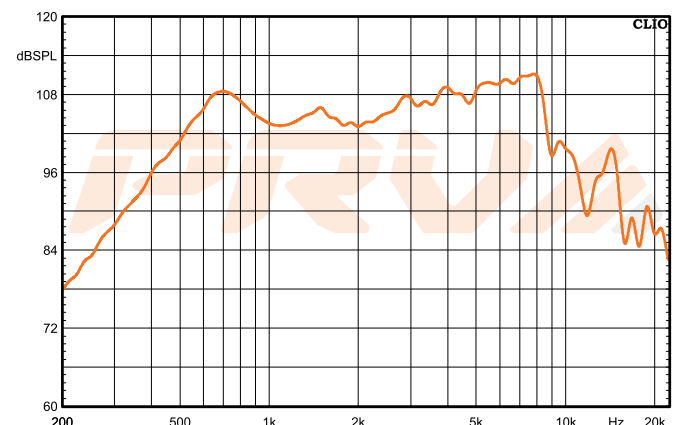
GENERAL SPECIFICATIONS

Exit Throat Diameter	2" (50 mm)
Nominal Impedance	8 Ohms
Rated Power Handling	100 Watts
Program Power	200 Watts
Sensitivity 2.83V at 1m*	109 dB
Recommended High Pass Crossover**	500 Hz***
for Full Power Handling	*12 db/oct Crossover
Frequency Response at -10dB	500 - 9,000Hz
Voice Coil Diameter	2" (51 mm)
Voice Coil Wire	CCAW
Voice Coil Former Material	Kapton®
Diaphragm Material	Phenolic
Flux Density	1.66 T
Magnet Material	Ferrite

EXTRA INFO

Overall Diameter	5.24" (133 mm)
Overall Depth	2.58" (65.5 mm)
Mounting Bolt Circle	M6 x 4 - 4" (101.6 mm)
Net Weight	6.39 lbs (2.9 kg)
Shipping Weight	6.61 lbs (3.0 kg)
Carton Dimensions W x L x H	5.71" x 5.71" x 3.93" (145 x 145 x 100 mm)

Frequency Response Measured at 2.83v/1m



*Frequency Response Measured on WG14-50CR

PRV AUDIO USA (USA and Export) PRV AUDIO BRAZIL (Brazilian Sales Only)
 POMPANO BEACH, FL SAO LEOPOLDO, RS
 support@prvaudio.com vendas@pvaudio.com.br
 www.prvaudio.com www.pvaudio.com.br