

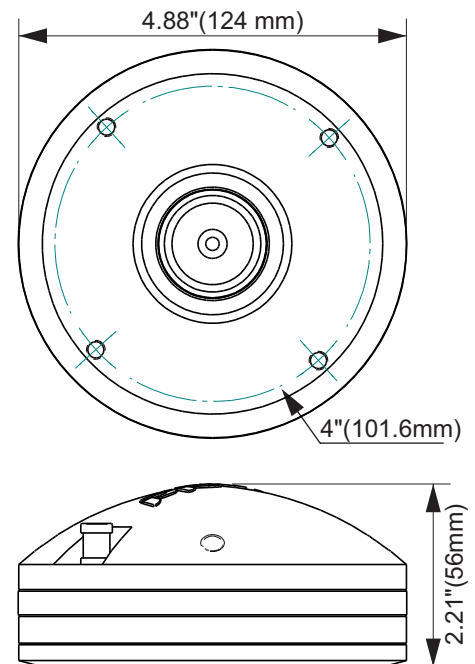
D3220Ph-Nd

Professional Compression Driver



KEY FEATURES

- 3" Voice coil and 2" exit
- 110 Watts continuous power handling
- 109 dB Sensitivity
- Phenolic Diaphragm
- Light Weight Neodymium Magnet



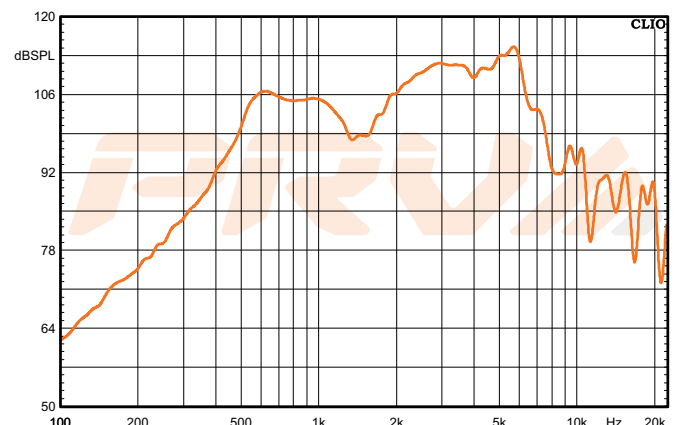
GENERAL SPECIFICATIONS

Exit Throat Diameter	2" (50 mm)
Nominal Impedance	8 Ohms
Rated Power Handling	110 Watts
Program Power	220Watts
Sensitivity 2.83V at 1m*	110 dB
Recommended High Pass Crossover**	800 Hz***
for Full Power Handling	*12 db/oct Crossover
Frequency Response at -10dB	600 - 7,500Hz
Voice Coil Diameter	3" (76.2 mm)
Voice Coil Wire	Cooper
Voice Coil Former Material	Kapton®
Diaphragm Material	Phenolic
Flux Density	1.80 T
Magnet Material	Neodimium

EXTRA INFO

Overall Diameter	4.88" (124 mm)
Overall Depth	2.21" (56 mm)
Mounting Bolt Circle	M6 x 4 4" (101.6 mm)
Net Weight	4.72 lbs (2.14 kg)
Shipping Weight	4.99 lbs (2.26 kg)
Carton Dimensions W x L x H	5.71" x 5.71" x 3.35" (145 x 145 x 85 mm)

Frequency Response Measured at 2.83v/1m



*Frequency Response Measured on WG14-50CR

PRV AUDIO USA (USA and Export) PRV AUDIO BRAZIL (Brazilian Sales Only)
POMPANO BEACH, FL SAO LEOPOLDO, RS
support@prvaudio.com vendas@pvaudio.com.br
www.prvaudio.com www.pvaudio.com.br