

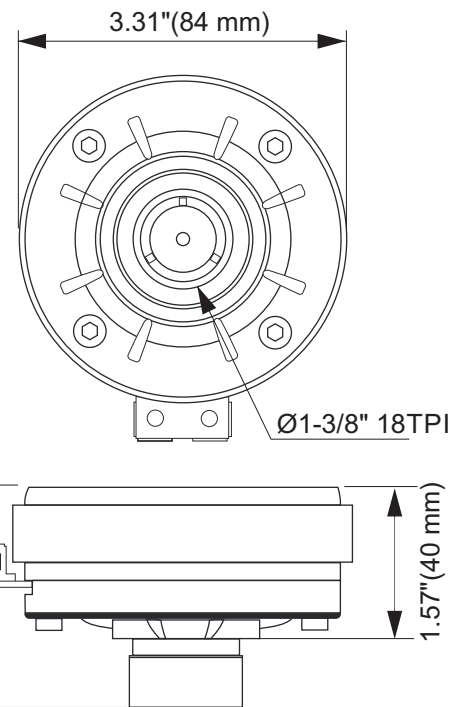
DT175Ph-S

Professional Compression Driver



KEY FEATURES

- 1" Voice coil and 1" exit
- 75 Watts continuous power handling
- 108 dB Sensitivity
- Phenolic Diaphragm
- 1,300-19,000Hz



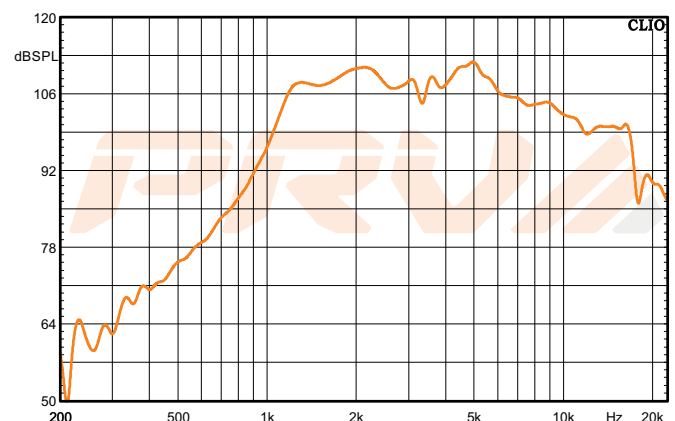
GENERAL SPECIFICATIONS

Exit Throat Diameter	1" (25.4mm)
Nominal Impedance	8 Ohms
Rated Power Handling	75 Watts
Program Power	150 Watts
Sensitivity 2.83V at 1m*	108 dB
Recommended High Pass Crossover**	3000 Hz***
for Full Power Handling	*12 db/oct Crossover
Frequency Response at -10dB	1,300-19,000Hz
Voice Coil Diameter	1" (25.4 mm)
Voice Coil Wire	CCAW
Voice Coil Former Material	Kapton®
Diaphragm Material	Phenolic Resin
Flux Density	1.02 T
Magnet Material	Ferrite

EXTRA INFO

Overall Diameter	3.31" (84 mm)
Overall Depth	2.60" (66 mm)
Mounting Thread	1 3/8" 18 TPI
Net Weight	1.73 lbs (0.79 kg)
Shipping Weight	1.85 lbs (0.84 kg)
Carton Dimensions W x L x H	4.53" x 4.53" x 3.31" (115 x 115 x 84 mm)

Frequency Response Measured at 2.83v/1m



*Frequency Response Measured on WG11-25

PRV AUDIO USA (USA and Export) PRV AUDIO BRAZIL (Brazilian Sales Only)
 POMPANO BEACH, FL SAO LEOPOLDO, RS
 support@prvaudio.com vendas@pvaudio.com.br
 www.prvaudio.com www.pvaudio.com.br