

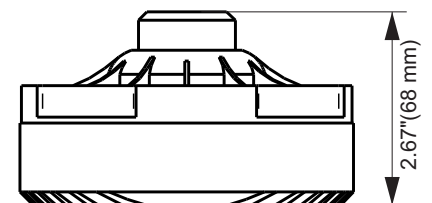
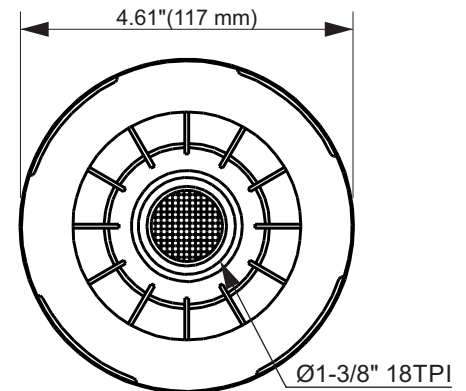
# D275Ph-S

Professional Compression Driver



## KEY FEATURES

- 1" Exit driver and waveguide combo
- 100 Watts continuous power handling
- 107 dB Sensitivity
- Phenolic Diaphragm
- 500 - 6,500Hz



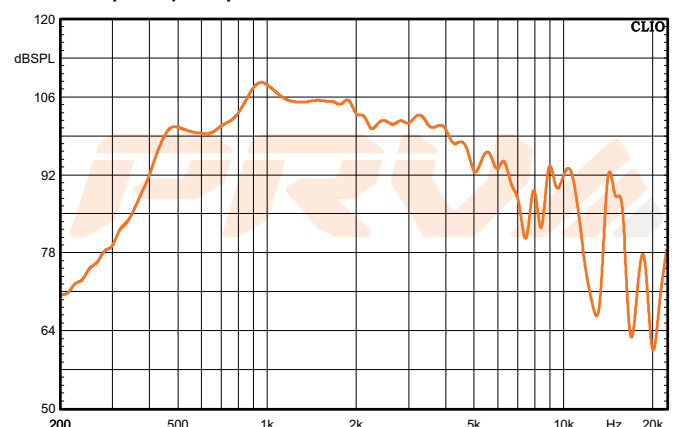
## GENERAL SPECIFICATIONS

Exit Throat Diameter	1" (25.4mm)
Nominal Impedance	8 Ohms
<b>Rated Power Handling</b>	<b>100 Watts</b>
Program Power	200 Watts
<b>Sensitivity 2.83V at 1m*</b>	<b>107 dB</b>
Recommended High Pass Crossover**	500 Hz***
**for Full Power Handling	***12 db/oct Crossover
<b>Frequency Response at -10dB</b>	<b>500-6,500Hz</b>
Voice Coil Diameter	2" (51 mm)
Voice Coil Wire	Copper
Voice Coil Former Material	Kapton®
Diaphragm Material	Phenolic Resin
Flux Density	1.1 T
Magnet Material	Ferrite

## EXTRA INFO

Overall Diameter	4.61" (117 mm)
Overall Depth	2.67" (68 mm)
Mounting Thread	1 3/8" 18 TPI
Net Weight	1.91 lbs (0.87 kg)
Shipping Weight	2.03 lbs (0.92 kg)
Carton Dimensions W x L x H	5.0" x 5.0" x 3" (127 x 127 x 75 mm)

Frequency Response Measured at 2.83v/1m



Measured on a WPG14-25

PRV AUDIO USA (USA and Export) PRV AUDIO BRAZIL (Brazilian Sales Only)  
POMPANO BEACH, FL SAO LEOPOLDO, RS  
support@prvaudio.com vendas@pvaudio.com.br  
www.prvaudio.com www.pvaudio.com.br