

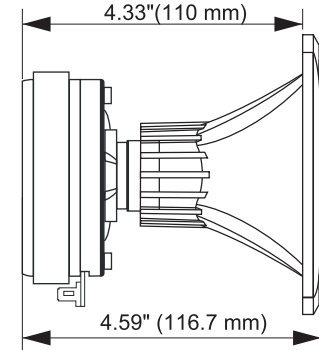
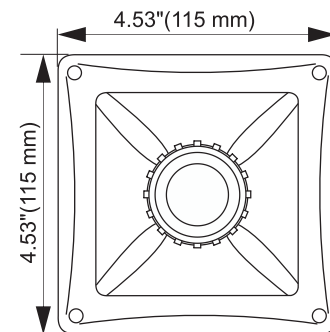
# WG175Ph

Professional Compression Driver



## KEY FEATURES

- 1" Exit driver and waveguide combo
- 75 Watts continuous power handling
- 108 dB Sensitivity
- Phenolic Diaphragm
- 1,300-19,000Hz



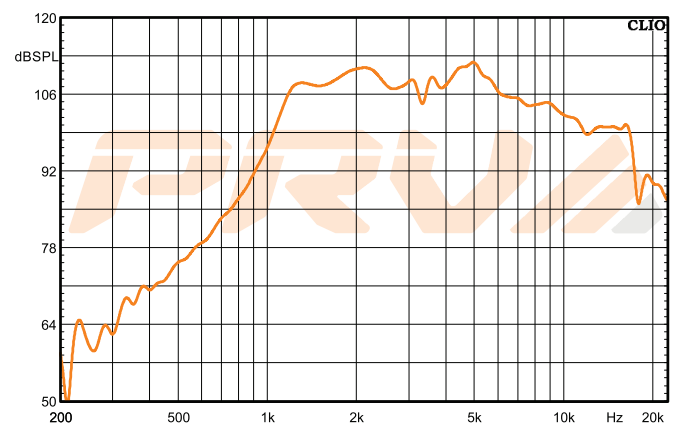
## GENERAL SPECIFICATIONS

Exit Throat Diameter	1" (25.4 mm)
Nominal Impedance	8 Ohms
<b>Rated Power Handling</b>	<b>75 Watts</b>
Program Power	150 Watts
<b>Sensitivity 2.83V at 1m*</b>	<b>108 dB</b>
Recommended High Pass Crossover**	3000 Hz***
**for Full Power Handling	***12 db/oct Crossover
<b>Frequency Response at -10dB</b>	<b>1,300-19,000Hz</b>
Voice Coil Diameter	1" (25.4 mm)
Voice Coil Wire	CCAW
Voice Coil Former Material	Kapton®
Diaphragm Material	Phenolic Resin
Flux Density	1.02 T
Magnet Material	Ferrite

## EXTRA INFO

Overall Depth	4.59" (116.7 mm)
Mounting Depth	4.33" (110 mm)
Overall Width	4.53" (115 mm)
Overall Height	4.53" (115 mm)
Net Weight	1.89 lbs (0.86 kg)
Shipping Weight	2.09 lbs (0.95 kg)
Carton Dimensions W x L x H	4.72" x 4.72" x 5.31" (120 x 120 x 135 mm)

Frequency Response Measured at 2.83v/1m



\*Frequency Response Measured on WG11-25

PRV AUDIO USA (USA and Export) PRV AUDIO BRAZIL (Brazilian Sales Only)  
POMPANO BEACH, FL SAO LEOPOLDO, RS  
support@prvaudio.com vendas@pvaudio.com.br  
www.prvaudio.com www.pvaudio.com.br