

# MT10W1200-NDY-4 PRVA AUDIO BRAZIL

## Professional Low Frequency Driver

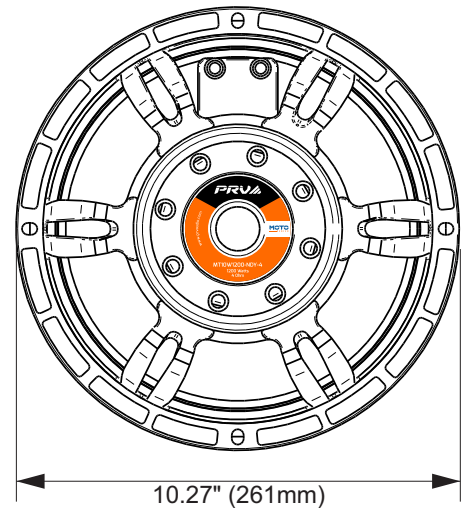
### KEY FEATURES

- 600 Watts nominal power handling
- 97 dB Sensitivity
- 40 - 4,000 Hz of frequency response
- Lightweight neodymium magnet



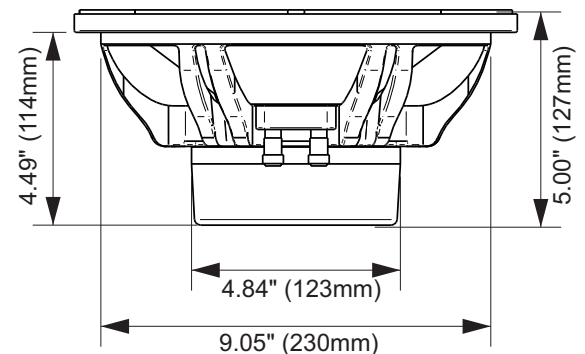
### GENERAL SPECIFICATIONS

Nominal Diameter	10" (254 mm)
Nominal impedance	4 Ohms
<b>Nominal Power Handling</b>	<b>600 Watts</b>
Continuous Program Power (RMS)	1200 Watts
Max Peak Power	2400 Watts
<b>Sensitivity 2.00V at 1m</b>	<b>97.0 dB</b>
Recommended Hi Pass Crossover*	65 Hz*
<small>*For Full Power Handling</small>	<small>*12db Per Octave Crossover</small>
<b>Frequency Response</b>	<b>40 - 4,000 Hz</b>
Voice Coil Diameter	3" (76 mm)
Voice Coil Wire	CCAW
Voice Coil Winding Depth	18.0 mm
Former Material	Glass Fiber
Magnetic Gap Depth	10.0 mm
Frame Material	Die cast Aluminum



### THIELE-SMALL PARAMETERS

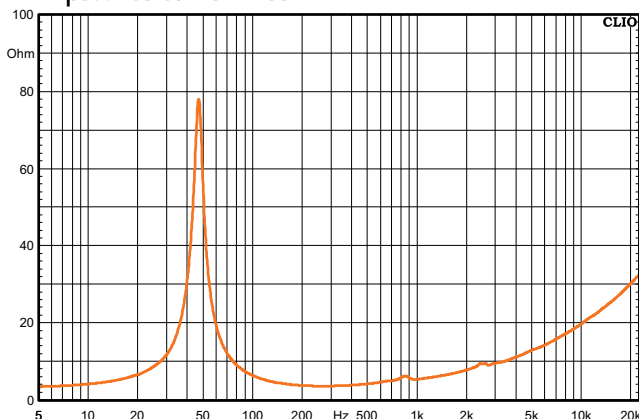
Equivalent Volume	Vas	41.24 l
Excursion (mathematical)***	Xmax	6.5 mm
Free Air Resonance	Fs	46.9 Hz
Mechanical Factor	Qms	7.94
Electrical Factor	Qes	0.31
Total Factor	Qts	0.30
Cone Area	Sd	373 cm <sup>2</sup>
Mechanical Mass	Mms	54.1 g
Bl Factor	Bl	12.29 Tm
Dc Resistance	Re	3.0 Ohms
Inductance	Le	0.376 mH at 1kHz
Mechanical Mass Without Air	Mmd	50.0 g
Mechanical Compliance	Cms	0.212 mm/N



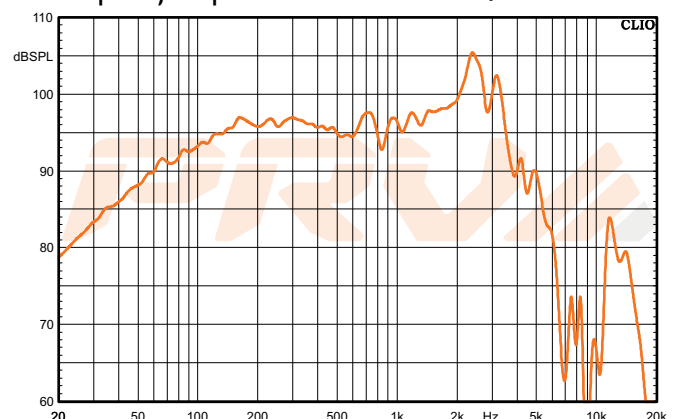
### EXTRA INFO

Overall Diameter	10.27" (261 mm)
Front Mount Baffle Cutout	9.05" (230 mm)
Mounting Depth	4.49" (114 mm)
Overall Depth	5.00" (127 mm)
Net Weight	8.38 Lbs (3.8 kg)
Shipping Weight	9.70 Lbs (4.4 kg)
Carton Dimensions W x L x H	11.2" x 11.2" x 5.71" (285 x 285 x 145 mm)

Impedance Curve - Free Air



Frequency Response Measured at 2.00V/1m



\*\*Xmax=(Voice coil winding depth-Magnetic Gap depth)/2+ Mgnetic Gap Depth/4

\*\*\* T-S parameters measured after 2 hours at 1/2 Rated power, pink noise preconditioning test