

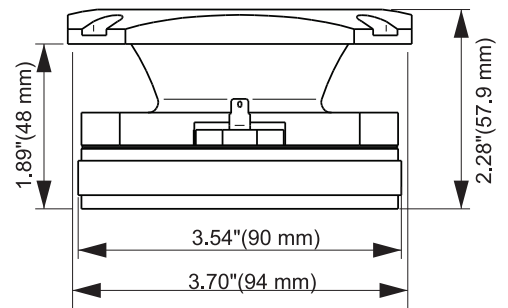
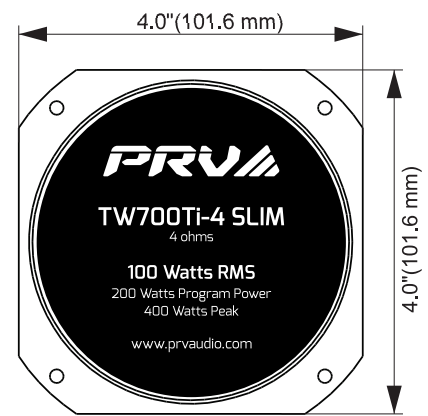
TW700Ti-4 SLIM

Professional Super Tweeter



KEY FEATURES

- 1.5" Voice coil
- 100 Watts of rated power handling
- 105 dB Sensitivity



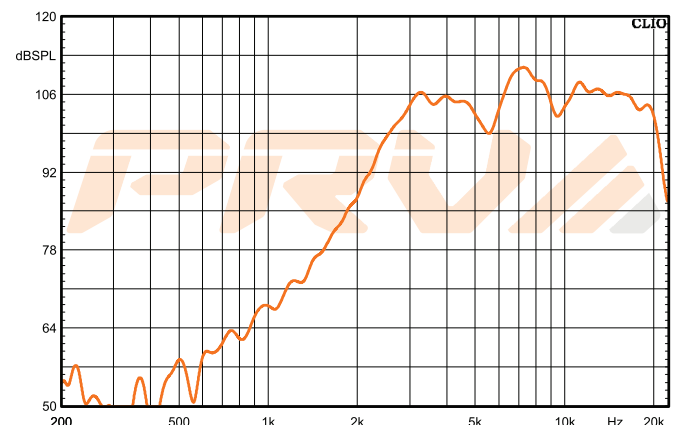
GENERAL SPECIFICATIONS

Nominal Impedance	4 Ohms
Rated Power Handling RMS	100 Watts
Program Power	200 Watts
Sensitivity 2.00V at 1m*	105 dB
Recommended High Pass Crossover**	5000 Hz***
for Full Power Handling	*12 db/oct Crossover
Frequency Response at -10dB	4,500-20,000Hz
Voice Coil Diameter	1.5" (38 mm)
Voice Coil Wire	CCAW
Voice Coil Former Material	Kapton®
Diaphragm Material	Aluminum
Flux Density	1.50 T
Magnet Material	Ferrite

EXTRA INFO

Overall depth	2.28" (57.9 mm)
Mounting Depth	1.89" (48.0 mm)
Overall Width	4.0" (101.6 mm)
Overall Height	4.0" (101.6 mm)
Cutout Diameter	3.70" (94.0 mm)
Net Weight	2.19 lbs (0.99 kg) each
Shipping Weight	4.45 lbs (2.02 kg) pair
Carton Dimensions W x L x H	9.64" x 4.72" x 2.56" (245 x 120 x 65 mm)

Frequency Response Measured at 2.00V/1m



PRV AUDIO USA (USA and Export) PRV AUDIO BRAZIL (Brazilian Sales Only)
 POMPANO BEACH, FL SAO LEOPOLDO, RS
 support@prvaudio.com vendas@pvaudio.com.br
 www.prvaudio.com www.pvaudio.com.br