

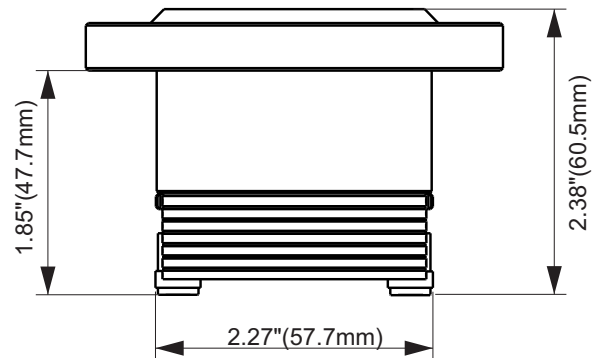
# TW400Ti-ND-4 PRO

Professional Super Tweeter



## KEY FEATURES

- 1.0" Voice coil
- 60 Watts Nominal Power Handling
- 106 dB Sensitivity
- Titanium Diaphragm



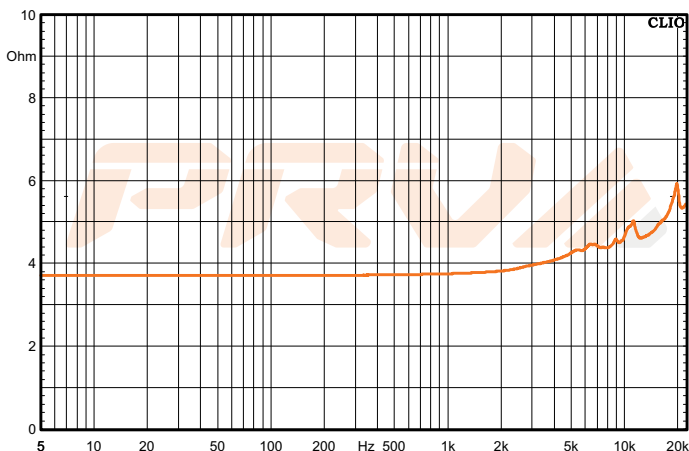
GENERAL SPECIFICATIONS

Nominal Impedance	4 Ohms
<b>Nominal Power Handling</b>	<b>60 Watts</b>
Continuos Program Power (RMS)	120Watts
Max Peak Power	240 Watts
<b>Sensitivity 2.00V at 1m*</b>	<b>106 dB</b>
Recommended High Pass Crossover**	6000 Hz***
**for Full Power Handling	***12db/oct Crossover
<b>Frequency Response at -10dB</b>	<b>4,500-20,000Hz</b>
Voice Coil Diameter	1.0" (25 mm)
Voice Coil Wire	CCAW
Voice Coil Former Material	Kapton®
Diaphragm Material	Titanium
Flux Density	1.45 T
Magnet Material	Neodymium

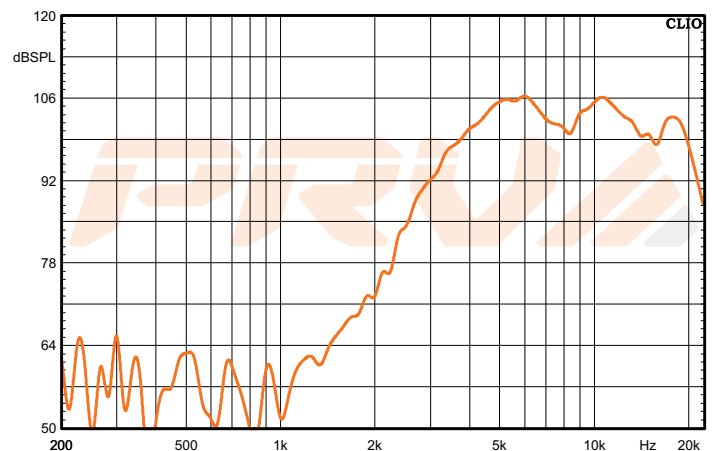
EXTRA INFO

Overall depth	2.38" (60.5 mm)
Mounting Depth	1.85" (47.7 mm)
Overall Diameter	3.48" (88.5 mm)
Cutout Diameter	2.27" (57.7 mm)
Net Weight	0.88 lbs (0.40 kg)
Shipping Weight (pair)	1.98 lbs (0.9 kg)
Carton Dimensions W x L x H	7.95" x 3.94" x 2.76" (202 x 100 x 70 mm)

Impedance Curve Free Air



Frequency Response Measured at 2.00V/1m



PRV AUDIO USA (USA and Export) POMPANO BEACH, FL  
support@prvaudio.com www.prvaudio.com

PRV AUDIO BRAZIL (Brazilian Sales Only)  
SAO LEOPOLDO, RS  
vendas@pvaudio.com.br www.pvaudio.com.br