

12MB1000FT

Professional Mid Bass Driver



KEY FEATURES

- 3" Voice coil
- 500 Watts nominal power handling
- 97.5 dB Sensitivity
- 70 - 3,200 Hz



GENERAL SPECIFICATIONS

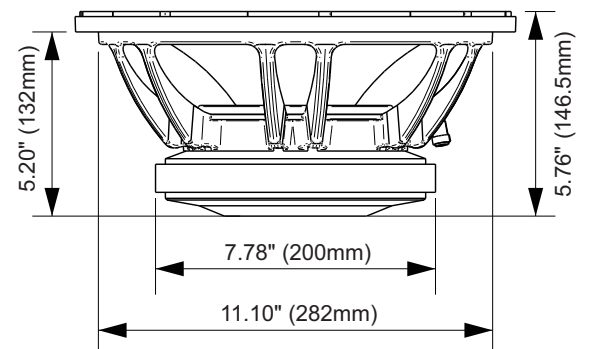
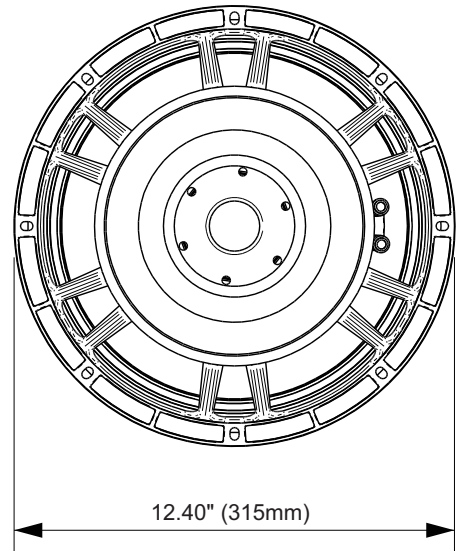
Nominal Diameter	12" (310 mm)
Nominal impedance	8 Ohms
Nominal Power Handling	500 Watts
Continuous Program Power (RMS)	1000 Watts
Max Peak Power	2000 Watts
Sensitivity 2.83V at 1m	97.5 dB
Recommended Hi Pass Crossover*	110 Hz*
<small>*For Full Power Handling</small>	<small>*12db Per Octave Crossover</small>
Frequency Response	70 - 3,200 Hz
Voice Coil Diameter	3" (76 mm)
Voice Coil Wire	Aluminum
Voice Coil Winding Depth	19.0 mm
Former Material	Glass Fiber
Magnetic Gap Depth	10.5 mm
Frame Material	Die cast Aluminum

THIELE-SMALL PARAMETERS

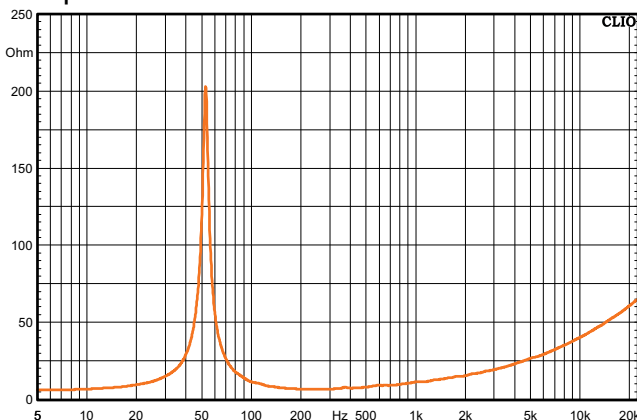
Equivalent Volume	Vas	74.57 l
Excursion (mathematical)***	Xmax	6.87 mm
Free Air Resonance	Fs	52.72 Hz
Mechanical Factor	Qms	13.35
Electrical Factor	Qes	0.38
Total Factor	Qts	0.37
Cone Area	Sd	573 cm ²
Mechanical Mass	Mms	55.94 g
Bl Factor	BL	16.54 Tm
Dc Resistance	Re	5.7 Ohms
Inductance	Le	1.00 mH at 1 kHz
Mechanical Mass Without Air	Mmd	48.19 g
Mechanical Compliance	Cms	0.162 mm/N

EXTRA INFO

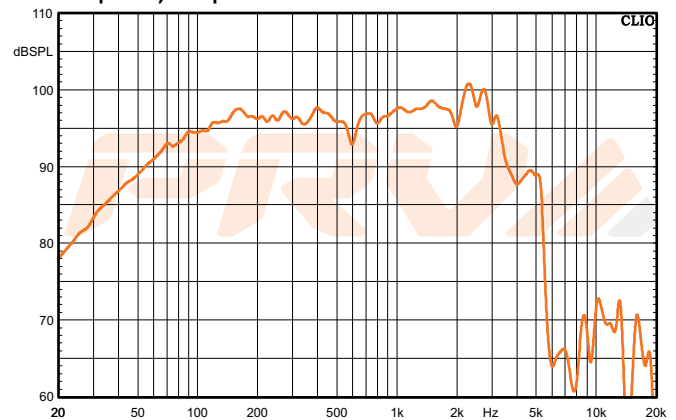
Overall Diameter	12.40" (315 mm)
Front Mount Baffle Cutout	11.10" (282 mm)
Mounting Depth	5.20" (132 mm)
Overall Depth	5.76" (146.5 mm)
Net Weight	16.8 Lbs (7.62 kg)
Shipping Weight	18.51 Lbs (8.40 kg)
Carton Dimensions W x L x H	13.79"x 13.79" x 7.09" (350 x 350 x 180mm)



Impedance Curve - Free Air



Frequency Response Measured at 2.83V/1m



***Xmax=(Voice coil winding depth-Magnetic Gap depth)/2+ Mgnetic Gap Depth/4