

6MR600X-NDY-4

Professional Mid Range Driver



KEY FEATURES

- 2.0" Voice coil
- 300 Watts nominal power handling
- 97.5 dB Sensitivity
- 90 - 13,000 Hz



GENERAL SPECIFICATIONS

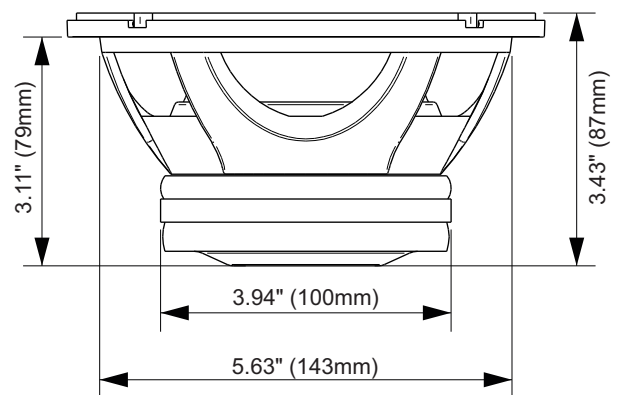
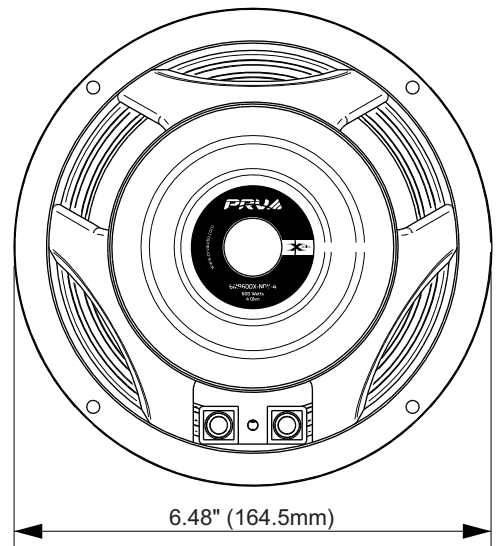
Nominal Diameter	6" (152 mm)
Nominal impedance	4 Ohms
Nominal Power Handling	300 Watts
Continuous Program Power (RMS)	600 Watts
Max Peak Power	1200 Watts
Sensitivity 2.00V at 1m	97.5 dB
Recommended Hi Pass Crossover*	160 Hz*
<small>*For Full Power Handling</small>	<small>*12db Per Octave Crossover</small>
Frequency Response	90 - 13,000 Hz
Voice Coil Diameter	2" (50 mm)
Voice Coil Wire	CCAW
Voice Coil Winding Depth	11.0 mm
Former Material	Kapton
Magnetic Gap Depth	8.0 mm
Frame Material	Die cast Aluminum

THIELE-SMALL PARAMETERS

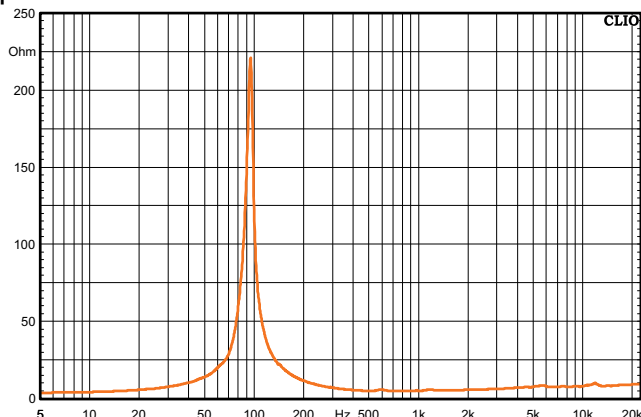
Equivalent Volume	Vas	5.17 l
Excursion (mathematical)***	Xmax	3.50 mm
Free Air Resonance	Fs	95.2 Hz
Mechanical Factor	Qms	12.54
Electrical Factor	Qes	0.20
Total Factor	Qts	0.19
Cone Area	Sd	143 cm ²
Mechanical Mass	Mms	15.45 g
Bl Factor	BL	12.66 Tm
Dc Resistance	Re	3.4 Ohms
Inductance	Le	0.005 mH at 1 kHz
Mechanical Mass Without Air	Mmd	14.49 g
Mechanical Compliance	Cms	0.180 mm/N

EXTRA INFO

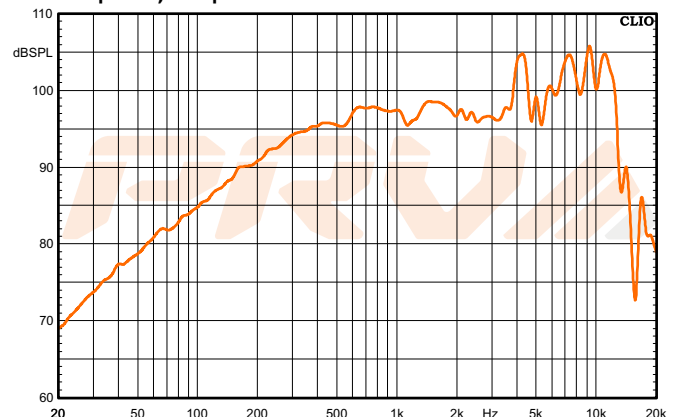
Overall Diameter	6.48" (164.5 mm)
Front Mount Baffle Cutout	15.63" (143 mm)
Mounting Depth	3.11"(79 mm)
Overall Depth	3.43"(87 mm)
Net Weight	4.63 Lbs (2.1 kg)
Shipping Weight	5.07 Lbs (2.3 kg)
Carton Dimensions W x L x H	7.0"x 7.0" x 4.33" (178 x 178 x 110mm)



Impedance Curve - Free Air



Frequency Response Measured at 2.00V/1m



**Xmax=(Voice coil winding depth-Magnetic Gap depth)/2+ Magnetic Gap Depth/4

*** T-S parameters measured after 2 hours at 1/2 Rated power, pink noise preconditioning test

PRV AUDIO USA (USA and Export) PRV AUDIO BRAZIL (Brazilian Sales Only)
 POMPANO BEACH, FL SAO LEOPOLDO, RS
 support@prvaudio.com vendas@pvaudio.com.br
 www.prvaudio.com www.pvaudio.com.br