

69MR500-4 BULLET PRVA

Professional Mid Range Driver

audio
BRAZIL

KEY FEATURES

- 1.5 Voice Coil
- 250 Watts nominal power handling
- 96 dB Sensitivity
- 150 - 12,500 Hz of frequency response



GENERAL SPECIFICATIONS

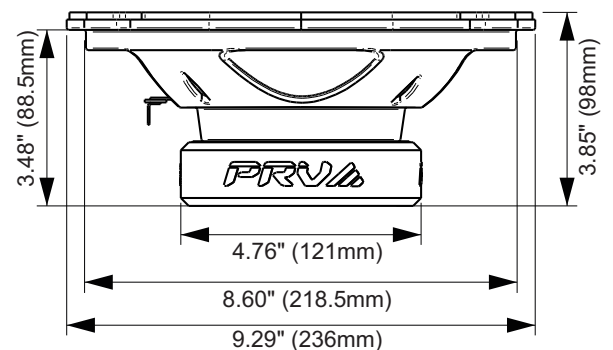
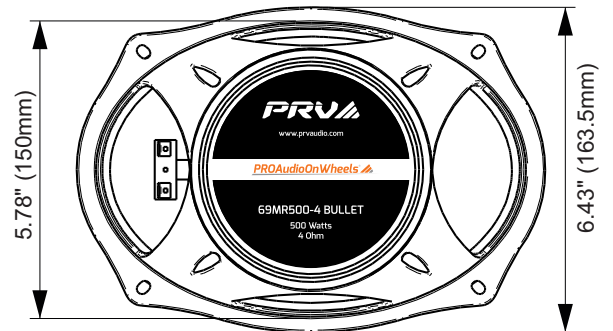
Nominal Diameter	6"x 9" (152 x 228 mm)	
Nominal impedance	4 Ohm	
Nominal Power Handling	250 Watts	
Continuous Program Power (RMS)	500 Watts	
Max Peak Power	1000 Watts	
Sensitivity 2.00V at 1m	96 dB	
Recommended Hi Pass Crossover*	145 Hz*	
<small>*For Full Power Handling</small>	<small>*12db Per Octave Crossover</small>	
Frequency Response	150 - 12,500 Hz	
Voice Coil Diameter	1.5" (38 mm)	
Voice Coil Wire	CCAW	
Voice Coil Winding Depth	9.5 mm	
Former Material	Kapton	
Magnetic Gap Depth	6.0 mm	
Frame Material	Stamped Steel	

THIELE-SMALL PARAMETERS

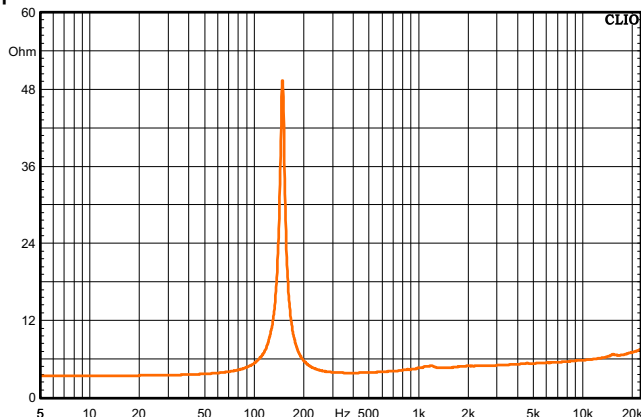
Equivalent Volume	Vas	5.21 l
Excursion	Xmax	3.25 mm
Free Air Resonance	Fs	148.9 Hz
Mechanical Factor	Qms	16.80
Electrical Factor	Qes	1.20
Total Factor	Qts	1.12
Cone Area	Sd	216 cm ²
Mechanical Mass	Mms	13.11 g
Bl Factor	Bl	5.86Tm
Dc Resistance	Re	3.3 Ohm
Inductance	Le	0.130mH at 1 kHz
Mechanical Mass Without Air	Mmd	9.31 g
Mechanical Compliance	Cms	0.080 mm/N

EXTRA INFO

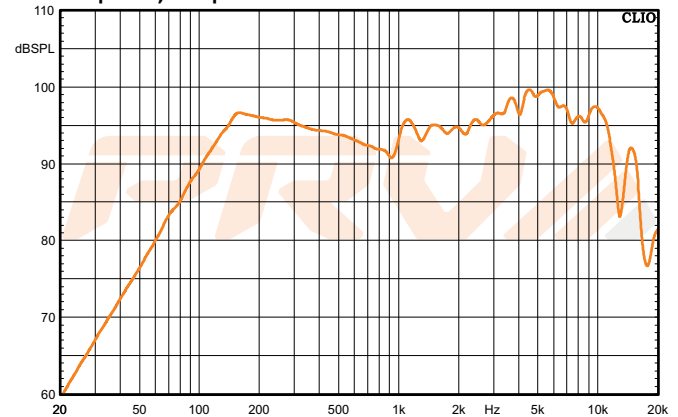
Overall Diameter	6.43"x9.29"(163.5x236 mm)	
Front Mount Baffle Cutout	5.78"x8.60"(150x218.5 mm)	
Mounting Depth	3.48" (88.5 mm)	
Overall Depth	3.85" (98 mm)	
Net Weight	4.4 Lbs (2.00 kg)	
Shipping Weight	4.62 Lbs (2.10 kg)	
Carton Dimensions W x L x H	8.66" x 7.48" x 4.33. (220 x 190 x 110 mm)	



Impedance Curve - Free Air



Frequency Response Measured at 2.00V/1m



**Xmax=(Voice coil winding depth-Magnetic Gap depth)/2+ Magnetic Gap Depth/4
*** T-S parameters measured after 2 hours at 1/2 Rated power, pink noise preconditioning test

PRVA AUDIO USA (USA and Export)
POMPAÑO BEACH, FL
support@prvaudio.com
www.prvaudio.com