

# 12MR2000

## Professional Mid Range Driver



### KEY FEATURES

- Large 4" Voice Coil
- 2000 Watts Continuous Program Power
- 97 dB Sensitivity
- Die Cast aluminum frame



### GENERAL SPECIFICATIONS

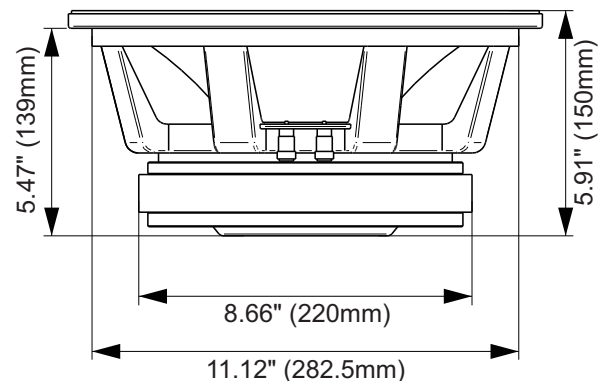
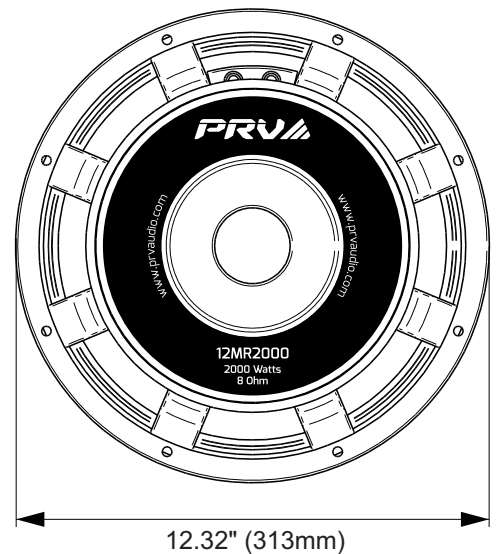
Nominal Diameter	12" (305 mm)
Nominal impedance	8 Ohm
<b>Nominal Power Handling</b>	<b>1000 Watts</b>
Continuous Program Power (RMS)	2000 Watts
Max Peak Power	4000 Watts
<b>Sensitivity 2.83V at 1m</b>	<b>97 dB</b>
Recommended Hi Pass Crossover*	145 Hz*
<small>*For Full Power Handling</small>	<small>*12db Per Octave Crossover</small>
<b>Frequency Response</b>	<b>72 - 5,000 Hz</b>
Voice Coil Diameter	4" (101 mm)
Voice Coil Wire	CCA W
Voice Coil Winding Depth	17.0 mm
Former Material	Aluminum
Magnetic Gap Depth	7.5 mm
Frame Material	Die Cast Aluminum

### THIELE-SMALL PARAMETERS

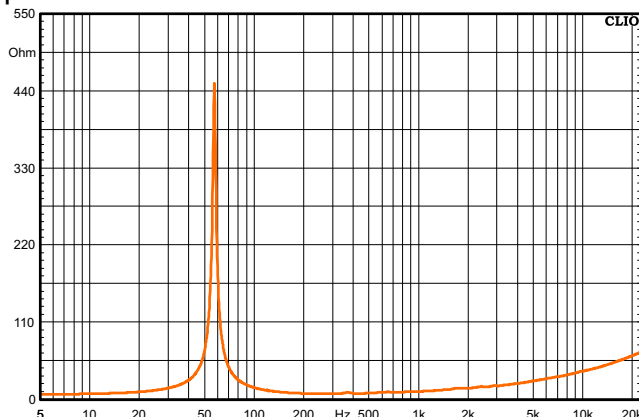
Equivalent Volume	Vas	52.52 l
Excursion (mathematical)***	Xmax	6.62 mm
Free Air Resonance	Fs	57.23 Hz
Mechanical Factor	Qms	23.84
Electrical Factor	Qes	0.34
Total Factor	Qts	0.33
Cone Area	Sd	573 cm <sup>2</sup>
Mechanical Mass	Mms	67.39 g
Bl Factor	BL	21.25 Tm
Dc Resistance	Re	6.3 Ohm
Inductance	Le	0.83 mH at 1 kHz
Mechanical Mass Without Air	Mmd	59.64 g
Mechanical Compliance	Cms	0.114 mm/N

### EXTRA INFO

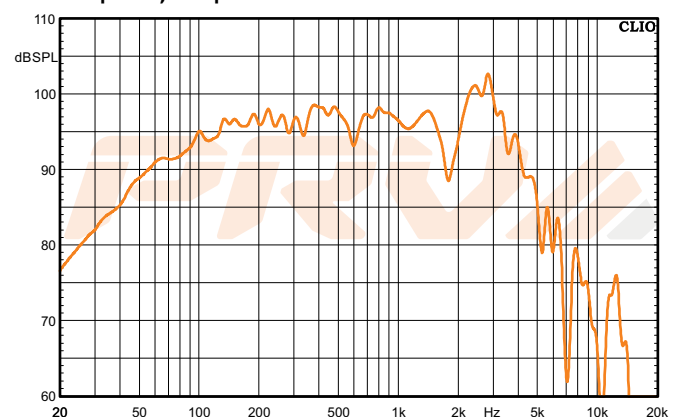
Overall Diameter	12.32" (313 mm)
Front Mount Baffle Cutout	11.12" (282.5 mm)
Mounting Depth	5.47" (139 mm)
Overall Depth	5.91" (150 mm)
Net Weight	23.04 Lb (10.45 kg)
Shipping Weight	24.92 Lb (11.30 kg)
Carton Dimensions W x L x H	14.37" x 14.37" x 8.07" (365 x 365 x 205 mm)



Impedance Curve - Free Air



Frequency Response Measured at 2.83V/1m



\*\*\*Xmax=(Voice coil winding depth-Magnetic Gap depth)/2+ Magnetic Gap Depth/4

PRVA AUDIO USA (USA and Export)  
POMPANO BEACH, FL  
support@prvaudio.com  
www.prvaudio.com