

12MB1000FT-4

Professional Mid Bass Driver



KEY FEATURES

- 3" Voice coil
- 500 Watts nominal power handling
- 97.5 dB Sensitivity
- 70 - 3,200 Hz



GENERAL SPECIFICATIONS

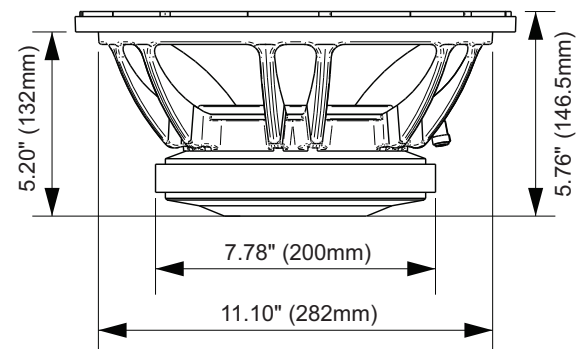
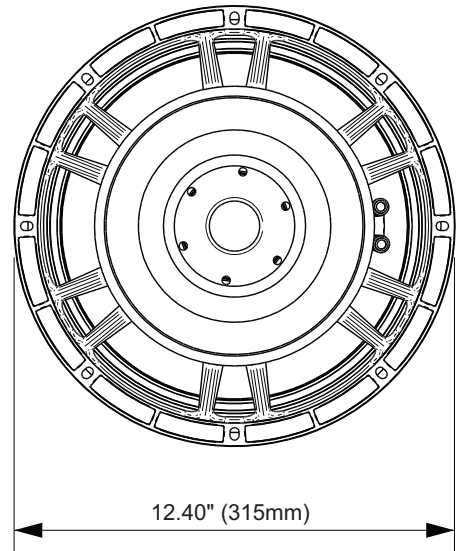
| | |
|---|---|
| Nominal Diameter | 12" (310 mm) |
| Nominal impedance | 4 Ohm |
| Nominal Power Handling | 500 Watts |
| Continuous Program Power (RMS) | 1000 Watts |
| Max Peak Power | 2000 Watts |
| Sensitivity 2.00V at 1m | 97.5 dB |
| Recommended Hi Pass Crossover* | 110 Hz* |
| <small>*For Full Power Handling</small> | <small>*12db Per Octave Crossover</small> |
| Frequency Response | 70 - 3,200 Hz |
| Voice Coil Diameter | 3" (76 mm) |
| Voice Coil Wire | Aluminum |
| Voice Coil Winding Depth | 17.5 mm |
| Former Material | Glass Fiber |
| Magnetic Gap Depth | 10.5 mm |
| Frame Material | Die cast Aluminum |

THIELE-SMALL PARAMETERS

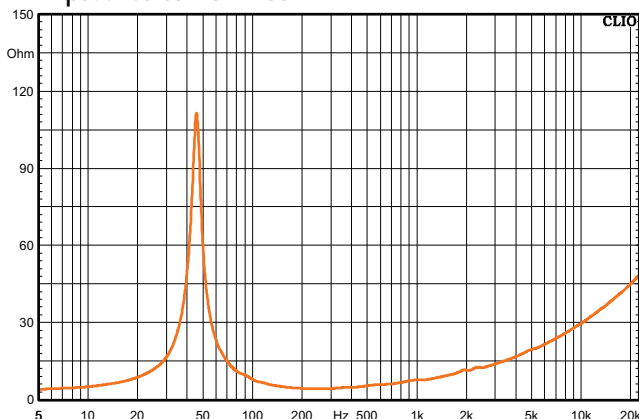
| | | |
|-----------------------------|------|---------------------|
| Equivalent Volume | Vas | 95.49 l |
| Excursion (mathematical)*** | Xmax | 6.13 mm |
| Free Air Resonance | Fs | 45.67 Hz |
| Mechanical Factor | Qms | 8.55 |
| Electrical Factor | Qes | 0.28 |
| Total Factor | Qts | 0.27 |
| Cone Area | Sd | 573 cm ² |
| Mechanical Mass | Mms | 58.23 g |
| Bl Factor | Bl | 14.52 Tm |
| Dc Resistance | Re | 3.5 Ohm |
| Inductance | Le | 0.71 mH at 1 kHz |
| Mechanical Mass Without Air | Mmd | 50.47 g |
| Mechanical Compliance | Cms | 0.209 mm/N |

EXTRA INFO

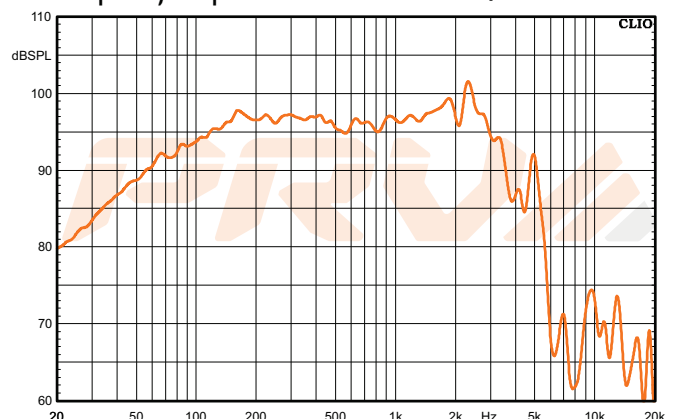
| | |
|-----------------------------|---|
| Overall Diameter | 12.40" (315 mm) |
| Front Mount Baffle Cutout | 11.10" (282 mm) |
| Mounting Depth | 5.20" (132 mm) |
| Overall Depth | 5.76" (146.5 mm) |
| Net Weight | 16.8 Lbs (7.62 kg) |
| Shipping Weight | 18.51 Lbs (8.40 kg) |
| Carton Dimensions W x L x H | 14.17" x 14.17" x 7.68" (360 x 360 x 195mm) |



Impedance Curve - Free Air



Frequency Response Measured at 2.00V/1m



**Xmax=(Voice coil winding depth-Magnetic Gap depth)/2+ Magnetic Gap Depth/4

*** T-S parameters measured after 2 hours at 1/2 Rated power, pink noise preconditioning test